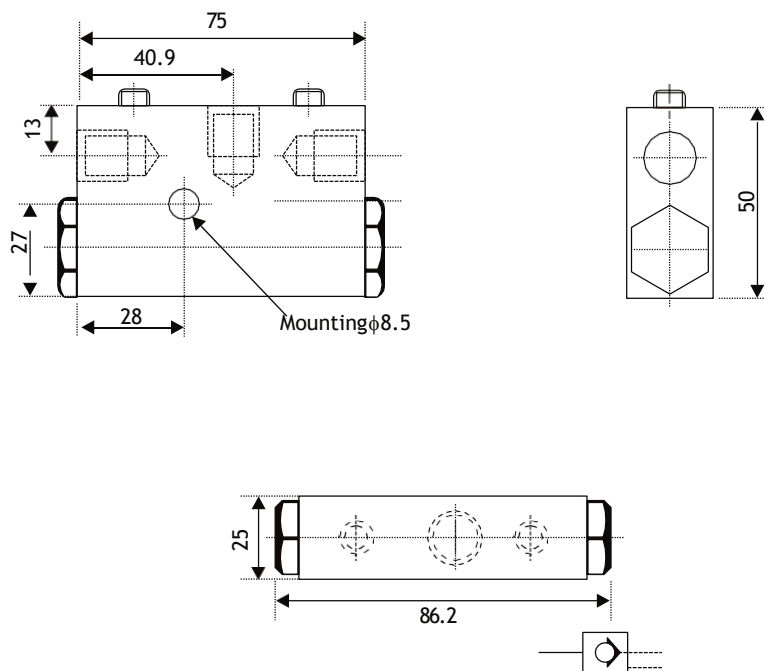




SINGLE PILOT CHECK VALVE (MODEL: PCV - 03T)



- Extruded Aluminium alloy body.
- Internal parts are hardened steel.
- Maximum flow rate is 30 LPM.
- Maximum working pressure tested to 210 Kg/cm².
- Ratio is 4:1.
- Ports are 3/8" NPT or 1/2" BSPT.
- The Single Pilot Check Valve is used to lock a cylinder or part of a circuit and to prevent reverse flow until the pilot pressure is applied.
- Ball and seat mechanism is used in operation.
- The directional valve cylinder ports should be connected to the tank in the center condition.