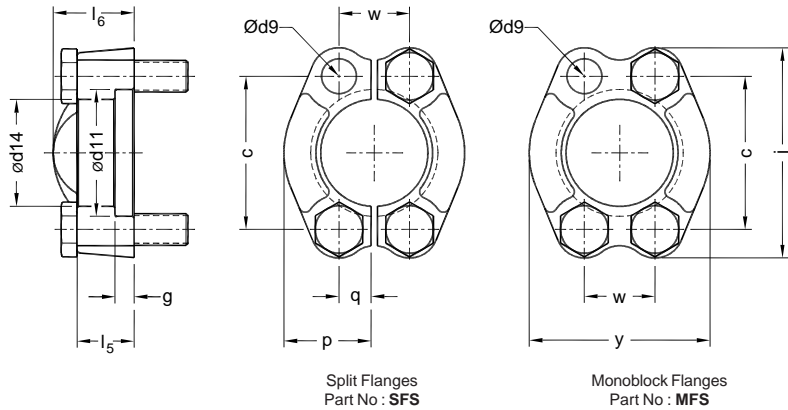


Dimensions in mm

Mounting Interface conforms to ISO 6162

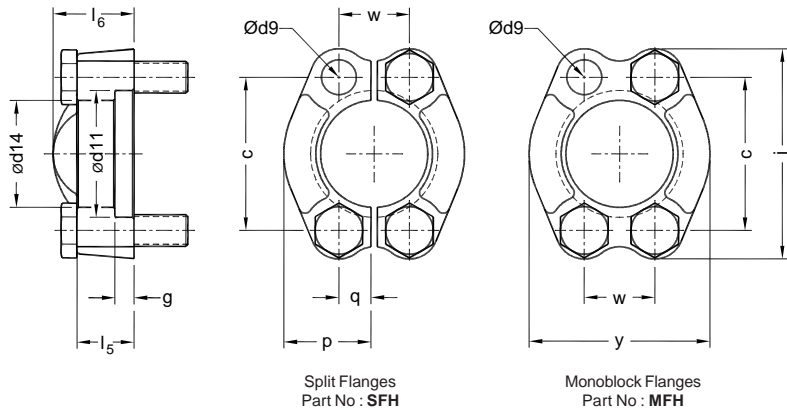


Standard Pressure Series (Code 61)

Split flanges	Monoblock flanges	Size	Ød11	Ød14	g	l ₅	l ₆	c	p	q	j	w	y
SFS 04	MFS 04	1/2	31.0	24.3	6.2	13	19	38.1	21.8	8	54	17.5	46
SFS 06	MFS 06	3/4	38.9	32.2	6.2	14	22	47.6	24.9	10	65	22.3	52
SFS 08	MFS 08	1	45.3	38.5	7.5	16	22	52.4	28.2	12	70	26.2	59
SFS 10	MFS 10	1 1/4	51.6	43.7	7.5	14	24	58.7	35.3	14	79	30.2	73
SFS 12	MFS 12	1 1/2	61.1	50.8	7.5	16	25	69.9	40.1	17	94	35.7	83
SFS 16	MFS 16	2	72.3	62.8	9.0	16	26	77.8	47.2	21	102	42.9	97
SFS 20	MFS 20	2 1/2	84.9	74.9	9.0	19	38	88.9	53.1	24	115	50.8	109
SFS 24	MFS 24	3	102.4	90.9	9.0	22	41	106.4	64.3	30	135	61.9	131
SFS 28	MFS 28	3 1/2	115.1	102.4	10.7	22	28	120.7	68.6	34	152	69.9	140
SFS 32	MFS 32	4	127.8	115.0	10.7	25	35	130.2	74.9	38	162	77.8	152
SFS 40	MFS 40	5	153.2	140.5	10.7	28	41	152.4	89.4	45	184	92.1	181
Split flanges	Monoblock flanges	Size	Pr (bar)	Ød9 for Metric	Ød9 for UNC	Metric bolt	Torque (N-m)	UNC (INCH) bolt	Torque (N-m)				
SFS 04	MFS 04	1/2	350	9.0	8.7	M8 x 25	25	5/16"-18 x 32	25				
SFS 06	MFS 06	3/4	350	11.0	10.3	M10 x 30	53	3/8" - 16 x 32	45				
SFS 08	MFS 08	1	350	11.0	10.3	M10 x 30	53	3/8" - 16 x 32	45				
SFS 10	MFS 10	1 1/4	250	11.0	11.9	M10 x 30	53	7/16" - 14 x 38	73				
SFS 12	MFS 12	1 1/2	200	13.5	13.5	M12 x 35	95	1/2" - 13 x 38	110				
SFS 16	MFS 16	2	200	13.5	13.5	M12 x 35	95	1/2" - 13 x 38	110				
SFS 20	MFS 20	2 1/2	160	13.5	13.5	M12 x 40	95	1/2" - 13 x 44	110				
SFS 24	MFS 24	3	100	17.5	16.6	M16 x 50	220	5/8" - 11 x 44	220				
SFS 28	MFS 28	3 1/2	25	17.5	16.6	M16 x 50	220	5/8" - 11 x 51	220				
SFS 32	MFS 32	4	25	17.5	16.6	M16 x 50	220	5/8" - 11 x 51	220				
SFS 40	MFS 40	5	25	17.5	16.6	M16 x 55	220	5/8" - 11 x 57	220				

Dimensions in mm

Mounting Interface conforms to ISO 6162



Split Flanges
Part No : SFH

Monoblock Flanges
Part No : MFH

High Pressure Series (Code 62)

Split flanges	Monoblock flanges	Size	Ød11	Ød14	g	l ₅	l ₆	c	p	q	j	w	y
SFH 04	MFH 04	1/2	32.5	24.6	7.2	16	22	40.5	22.6	8	56	18.2	48
SFH 06	MFH 06	3/4	42.0	32.5	8.2	19	28	50.8	29	11	71	23.8	60
SFH 08	MFH 08	1	48.4	38.8	9.0	24	33	57.2	33.8	13	81	27.8	70
SFH 10	MFH 10	1 1/4	54.8	44.5	9.8	27	38	66.6	37.6	15	95	31.8	78
SFH 12	MFH 12	1 1/2	64.3	51.6	12.0	30	43	79.3	46.5	17	113	36.5	95
SFH 16	MFH 16	2	80.2	67.6	12.0	37	52	96.8	55.9	21	133	44.5	114
Split flanges	Monoblock flanges	Size	Pr (bar)	Ød9 for Metric	Ød9 for UNC	Metric bolt	Torque (N-m)	UNC (INCH) bolt	Torque (N-m)				
SFH 04	MFH 04	1/2	400	9.0	8.7	M8 x 30	25	5/16" - 18 x 32	25				
SFH 06	MFH 06	3/4	400	11.0	10.3	M10 x 35	53	3/8" - 16 x 38	45				
SFH 08	MFH 08	1	400	13.5	11.9	M12 x 45	95	7/16" - 14 x 44	73				
SFH 10	MFH 10	1 1/4	400	13.5	13.5	M12 x 45	95	1/2" - 13 x 44	110				
SFH 12	MFH 12	1 1/2	400	17.5	16.6	M16 x 55	220	5/8" - 11 x 57	220				
SFH 16	MFH 16	2	400	22.0	19.8	M20 x 70	390	3/4" - 10 x 70	390				

Note : While ordering the flanges with mounting hardware, add suffix, **BKM / BKU** to the flange part numbers.

e.g : **SFS 04 - BKM** for Metric bolts
SFS 04 - BKU for UNC (Inch) bolts

Metric bolts of property class 8.8 or 10.9

UNC (Inch) bolts of Minimum tensile strength of 827 N/mm²