

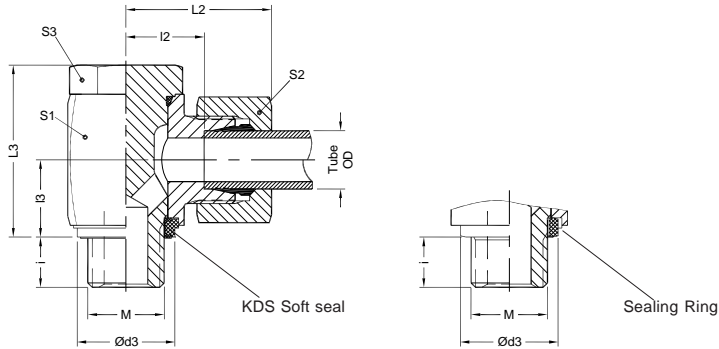
Banjo Elbow

WH-ME

Dimensions in mm

DIN Fittings

Metric Tube end as per ISO 8434
Male stud - Metric (M) threads



Part No. (With KDS Soft seal)	Part No. (With sealing ring)	Series	Tube od	Metric thread M	Ød3	i	l 2	l 3	* L 2	L 3	S 1	S 2	S 3	
WH06PLME	WH06PLM	Light L 350 bar	6	M10x1.0	14.9	8	13.0	10.0	28.5	21.0	17	14	14	
WH08PLME	WH08PLM		8	M12x1.5	17.9	12	14.0	13.5	29.0	27.0	22	17	19	
WH10PLME	WH10PLM		10	M14x1.5	19.9	12	15.0	13.5	30.5	27.0	22	19	19	
WH12PLME	WH12PLM		12	M16x1.5	21.9	12	17.5	16.0	32.5	32.5	24	22	22	
WH12PLM18E	WH12PLM18		12	M18x1.5	23.9	12	20.0	18.5	35.0	37.0	27	22	24	
WH15PLME	WH15PLM		15	M18x1.5	23.9	12	20.0	18.5	36.0	37.0	27	27	24	
WH18PLME	WH18PLM		18	M22x1.5	27.9	14	20.5	21.5	37.5	43.0	30	32	27	
WH22PLME	WH22PLM	160 bar	22	M26x1.5	31.9	16	27.0	24.0	44.0	48.0	36	36	32	
WH28PLME	WH28PLM		28	M33x2.0	39.9	18	31.5	30.5	49.5	59.0	46	41	41	
WH35PLME	WH35PLM		35	M42x2.0	49.9	20	35.5	35.5	58.5	70.0	55	50	50	
WH42PLME	WH42PLM		42	M48x2.0	55.9	22	40.0	40.5	63.5	80.0	65	60	55	
WH06PSME	WH06PSM		Heavy 350 bar	6	M12x1.5	17.9	12	16.0	13.5	31.5	27.0	22	17	19
WH08PSME	WH08PSM			8	M14x1.5	19.9	12	16.0	13.5	31.0	27.0	22	19	19
WH10PSME	WH10PSM			10	M16x1.5	21.9	12	18.0	16.0	35.0	32.5	24	22	22
WH12PSME	WH12PSM	12		M18x1.5	23.9	12	19.5	18.5	36.0	37.0	27	24	24	
WH16PSME	WH16PSM	16		M22x1.5	27.9	14	21.5	21.5	40.5	43.0	30	30	27	
WH20PSME	WH20PSM	20		M27x2.0	31.9	16	26.0	24.0	48.5	48.0	36	36	32	
WH25PSME	WH25PSM	25		M33x2.0	39.9	18	31.0	30.5	56.0	59.0	46	46	41	
WH30PSME	WH30PSM	250 bar	30	M42x2.0	49.9	20	36.5	35.5	64.5	70.0	55	50	50	
WH38PSME	WH38PSM		38	M48x2.0	55.9	22	41.0	40.5	72.5	80.0	65	60	55	

* Dimensions given are approx figures with tightened nut.