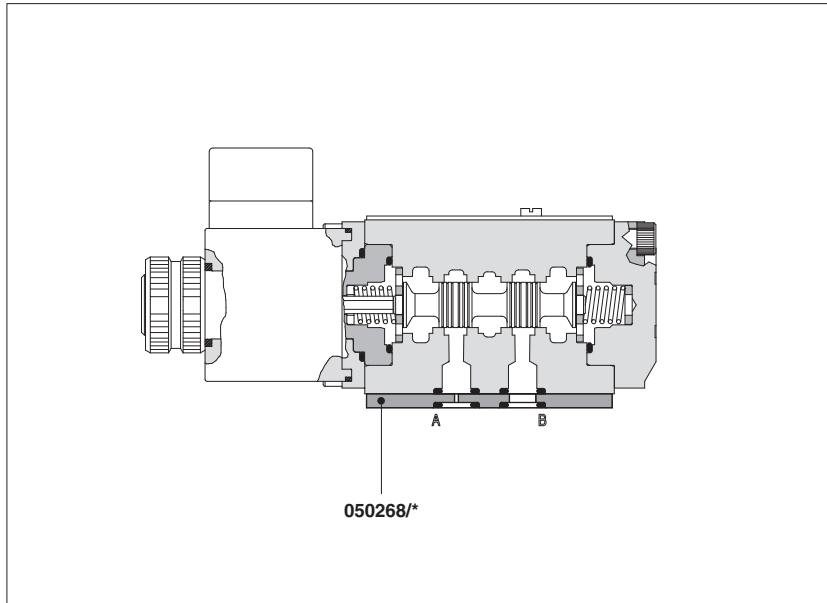


Modular plates with calibrated holes code SET-050268

ISO 4401 size 06

Available only on request


Modular plates with calibrated holes on ports A, B, P, T, for assembling under NG6 valves.

Up to 23 different calibrated holes are available from 0,4 mm to 5,0 mm, with several ports combination according the application requirements.

Application

To limit the flow to pilot valves or to actuators, instead of using PLUG or other type of restrictors.

The modular plates are supplied with 4 OR-108.

1 MODEL CODE

SET-050268
A*, B*, P*, T*
/*

Seals material
 - = NBR
 PE = FKM

A, B, P, T = port identification
 * = hole dimension, see section 2

EXAMPLE OF MODEL CODE

SET-050268/A04, B00, T15

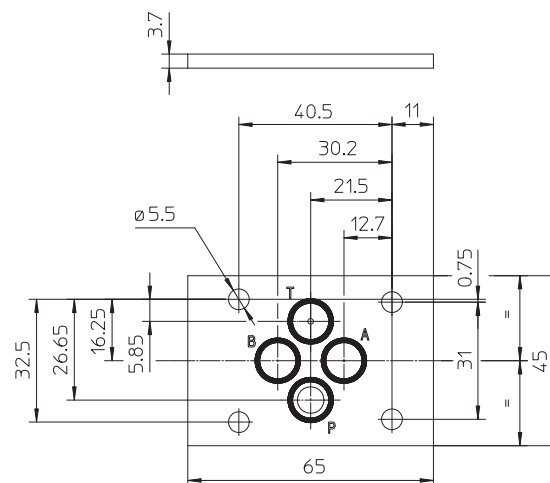
A port with 0,4 mm hole
 B port without hole
 T port with 1,5 mm hole
 P port with standard 7 mm hole

Note: in the code omit the port identification if the relevant hole is standard \varnothing 7 mm

Modular plates with calibrated holes, supplied with 4 OR-108

2 DIMENSIONS AND AVAILABLE HOLES

Code	\varnothing hole [mm] A, B, P, T
/*04	0.4
/*05	0.5
/*06	0.6
/*07	0.7
/*08	0.8
/*09	0.9
/*10	1
/*12	1.25
/*15	1.5
/*17	1.75
/*20	2
/*22	2.25
/*25	2.5
/*27	2.75
/*30	3
/*32	3.25
/*35	3.5
/*37	3.75
/*40	4
/*42	4.25
/*45	4.5
/*47	4.75
/*50	5



ISO 4401: 2005
 Mounting surface: ISO 4401-03-02-0-05