

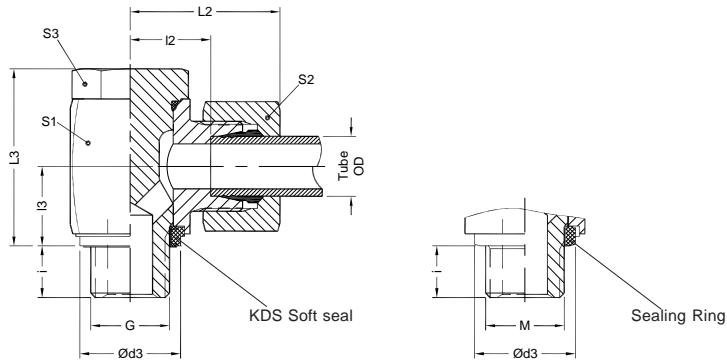
# Banjo Elbow

WH-GE

Dimensions in mm

DIN Fittings

Metric Tube end as per ISO 8434  
Male stud - BSPP (G) threads



Part No. (With KDS Soft seal)	Part No. (With sealing ring)	Series	Tube od	BSP thread G	Ød3	i	l2	l3	* L2	L3	S1	S2	S3	
WH06PLGE	WH06PLG	Light L	6	G 1/8A	14.9	8	13.0	10.0	28.5	21.0	17	14	14	
WH06PLG02E	WH06PLG02		6	G 1/4A	18.9	12	15.0	13.5	30.5	27.0	22	14	19	
WH08PLGE	WH08PLG		8	G 1/4A	18.9	12	14.0	13.5	29.0	27.0	22	17	19	
WH10PLGE	WH10PLG		10	G 1/4A	18.9	12	15.0	13.5	30.5	27.0	22	19	19	
WH12PLG02E	WH12PLG02		12	G 1/4A	18.9	10	15.0	15.5	30.0	30.0	22	22	19	
WH12PLGE	WH12PLG		12	G 3/8A	21.9	12	17.5	16.0	32.5	32.5	24	22	22	
WH15PLGE	WH15PLG		15	G 1/2A	26.9	14	21.0	19.5	37.0	43.0	30	27	27	
WH18PLGE	WH18PLG		18	G 1/2A	26.9	14	20.5	21.5	37.5	43.0	30	32	27	
WH22PLGE	WH22PLG		22	G 3/4A	32.9	16	27.0	24.0	44.0	48.0	36	36	32	
WH28PLGE	WH28PLG		28	G1A	39.9	18	31.5	30.5	49.5	59.0	46	41	41	
WH35PLGE	WH35PLG	160 bar	35	G1.1/4A	49.9	20	35.5	35.5	58.5	70.0	55	50	50	
WH42PLGE	WH42PLG		42	G1.1/2A	55.9	22	40.0	40.5	63.5	80.0	65	60	55	
WH06PSGE	WH06PSG	Heavy	6	G 1/4A	18.9	12	16.0	13.5	31.5	27.0	22	17	19	
WH08PSGE	WH08PSG		8	G 1/4A	18.9	12	16.0	13.5	31.0	27.0	22	19	19	
WH10PSGE	WH10PSG		10	G 3/8A	21.9	12	18.0	16.0	35.0	32.5	24	22	22	
WH12PSGE	WH12PSG		12	G 3/8A	21.9	12	18.0	16.0	34.5	32.5	24	24	22	
WH16PSGE	WH16PSG		16	G 1/2A	26.9	14	21.5	21.5	40.5	43.0	30	30	27	
WH20PSGE	WH20PSG		20	G 3/4A	32.9	16	26.0	24.0	48.5	48.0	36	36	32	
WH25PSGE	WH25PSG		25	G1A	39.9	18	31.0	30.5	56.0	59.0	46	46	41	
WH30PSGE	WH30PSG		30	G1.1/4A	49.9	20	36.5	35.5	64.5	70.0	55	50	50	
WH38PSGE	WH38PSG		250 bar	38	G1.1/2A	55.9	22	41.0	40.5	72.5	80.0	65	60	55

\* Dimensions given are approx figures with tightened nut.