

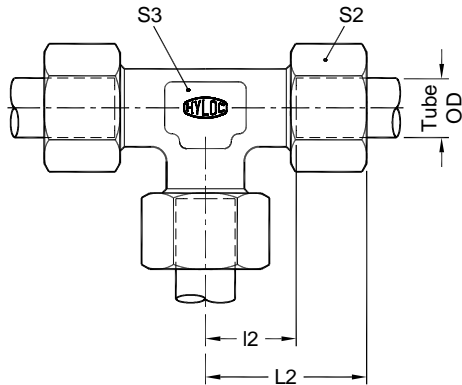
# Equal Tee Couplings

T

Dimensions in mm

DIN Fittings

Metric Tube end as per ISO 8434



\*

Part No.	Series	Tube od	I 2	L 2	S 2	S 3
<b>T06PL</b>	<b>Light L</b> 250 bar	6	12.0	27.5	14	12
<b>T08PL</b>		8	14.0	29.0	17	12
<b>T10PL</b>		10	15.0	30.5	19	14
<b>T12PL</b>		12	17.0	32.0	22	17
<b>T15PL</b>		15	21.0	37.0	27	22
<b>T18PL</b>	160 bar	18	23.5	40.5	32	24
<b>T22PL</b>		22	27.5	44.5	36	27
<b>T28PL</b>	100 bar	28	30.5	48.5	41	36
<b>T35PL</b>		35	34.5	57.5	50	41
<b>T42PL</b>		42	40.0	63.5	60	50
<b>T06PS</b>	<b>Heavy S</b> 630 bar	6	16.0	31.5	17	12
<b>T08PS</b>		8	17.0	32.0	19	14
<b>T10PS</b>		10	17.5	34.5	22	17
<b>T12PS</b>		12	21.5	38.0	24	19
<b>T16PS</b>	400 bar	16	24.5	43.5	30	24
<b>T20PS</b>		20	26.5	49.0	36	27
<b>T25PS</b>		25	30.0	55.0	46	36
<b>T30PS</b>		30	35.5	63.5	50	41
<b>T38PS</b>		38	41.0	72.5	60	50

\* Dimensions given are approx figures with tightened nut.