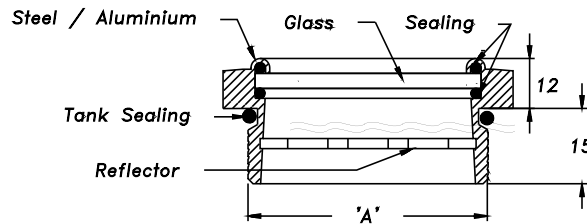
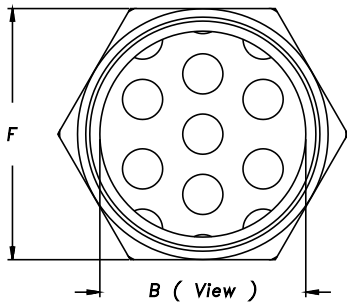


# SIGHT GLASS - SG S / A

- SHOCK RESISTANT
- STEEL / ALUMINIUM BODY
- OPERATING TEMP. 80 deg C
- BUNA - N SEAL / DOWTY SEAL
- FOR USE WITH MINERAL , & PETROLEUM BASED FLUIDS
- ANY CONTACT WITH ALCOHOL OR SOLVENTS MUST BE AVOIDED



WELD FLANGE

PART NO	* A	B	F	* WELD FLANGE TO SUIT
<b>SG* - 03B</b> <b>SAE - 6</b>	3/8" BSPP/NPT 9/16"-18 UNF	10	25.4	TWF.03B TWF.06U
<b>SG* - 04B</b> <b>SAE - 8</b>	1/2" BSPP/NPT 3/4" - 16 UNF	14	25.4	TWF.04B TWF.08U
<b>SG* - 06B</b> <b>SAE - 12</b>	3/4" BSPP/NPT 1-1/16" - 12 UNF	20	32.0	TWF.06B TWF.12U
<b>SG* - 08B</b> <b>SAE - 16</b>	1" BSPP/NPT 1-5/16" - 12 UNF	24	38.0	TWF.08B TWF.16U
<b>SG* - 10B</b> <b>SAE - 20</b>	1-1/4" BSPP/NPT 1-5/8" - 12 UNF	33	50.0	TWF.10B TWF.20U
<b>SG* - 12B</b> <b>SAE - 24</b>	1-1/2" BSPP/NPT 1-7/8" - 12 UNF	39	55.0	TWF.12B TWF.24U

## MODEL CODE

SG *	- 08	B	**
SERIES	SIZE	THREADS	SPECIAL FEATURE
SG A-Aluminium Body	03B	3/8" BSPP	REFLECTOR - STD
	06U	9/16" -18 UNF	
	04B	1/2" BSPP	
	08U	3/4" -16UNF	
SG S-SteelBody	06B	3/4" BSPP	
	12U	1-1/16"-12UNF	
	08B	1" BSPP	
	16U	1-5/16"-12UNF	
	10B	1-1/4" BSPP	
	20U	1-5/8" -12UNF	
	12B	1-1/2" BSPP	
	24U	1-7/8" -12UNF	

\* . REFER TO TWF DATA SHEET TO BE ORDERED SEPERATELY

\* . CONSULT FACTORY FOR METRIC THREADS

DIMENSIONS IN MM FOR REFERENCE ONLY