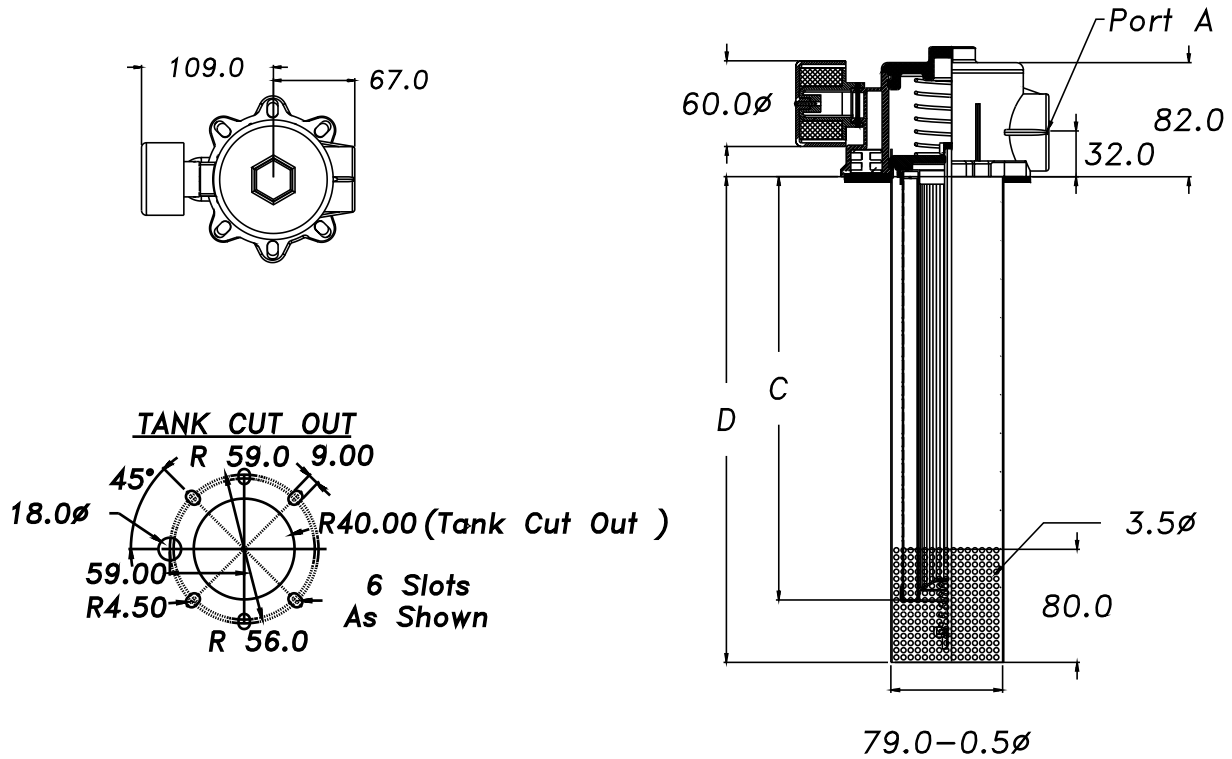


FILTER-TANK MOUNTED - JFR1B

- DIRECT TANK MOUNTING - FLOW IN - TO OUT
- 3 SIZES - FLOWS TO 170 LPM
- ALUMINIUM DIE CAST HOUSING - BUILT IN INTEGRAL BREATHER
- MAX TEMP 80°C - BY PASS 1 BAR (15 PSI) STANDARD
- 4 BOLT TANK MOUNTING / (OPTIONAL 2 BOLT MOUNTING)
- MAGNET BANK & DIFFUSER TUBE OPTIONAL
- WORKING PRESSURE 10 BAR / TEST PRESSURE 15 BAR / BURST PRESSURE 20 BAR



MODEL NO	C	D	PORT 'A' BSPP / NPT	FLOW LPM
JFR1B - 06B-L1	180	200	3/4"	90
JFR1B - 08B-L2	230	250	1"	130
JFR1B - 10B-L3	330	350	1 - 1/4 "	170

FILTER-TANK MOUNTED - JFR1B



MODEL CODE : ASSEMBLY

JFR1B	Port B (Standard)	- Element		Feature			Breather Element
		Length	- Filtration Micron	1 Optional# ByPass setting	2 DIFFUSER TUBE	3 MAGNET BANK	
	06 B - 3/4" BSPP 06 N - 3/4" NPT 12 S - 1-1/16" UNF - 12	L1	P10-10 nom P25-25 nom	R3-1barStd (omit if std)	D	M	40 nom
	08 B - 1" BSPP 08 N - 1" NPT 16 S - 1-5/16" UNF - 12		L2				A10-10 abs
	10 B - 1-1/4" BSPP 10 N - 1-1/4" NPT 20 S - 1- 5/8" UNF - 12	L3	A25-25 abs				03 nom

INDICATOR : OPTIONAL (TO BE ORDERED SEPERATELY)

OPTIONAL / SPECIAL FEATURE - OMIT IF NOT REQUIRED

GR VISUAL RETURN ER ELEC. RETURN

Element : P10 / P25 Was 010 / 025

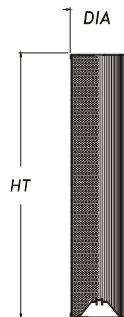
MODEL CODE : ELEMENT

JFE	- L1	- 010
SERIES	SIZE	FILTRATION μ MICRON
JFE	L1	P10 - 10 μ NOM
	L2	P25 - 25 μ NOM
	L3	A10 - 10 μ ABS A25 - 25 μ ABS

OPTIONAL / SPECIAL FEATURE - OMIT IF NOT REQUIRED

Element Details

SIZE	Dia	Ht	Area P-10/25	SqCm A-10/25
JFE-L1	72	150	1800	1225
JFE-L2	72	200	2600	1700
JFE-L3	72	300	3800	2625



Breather Element Details

Series	- Filtration Micron	Dia	Ht
RBE	40	50	31
	10	50	31
	03	50	31

