

# GROUP 3P – P3000 SERIES

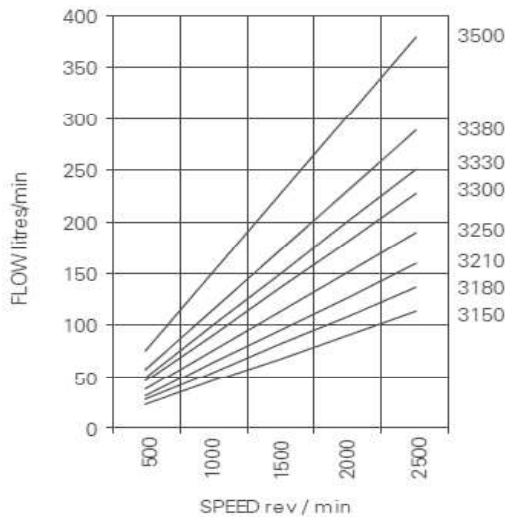
## PERFORMANCE DATA

Pressures quoted are relief valve maximum by-pass  
Performance with SAE 20W oil at 50°C

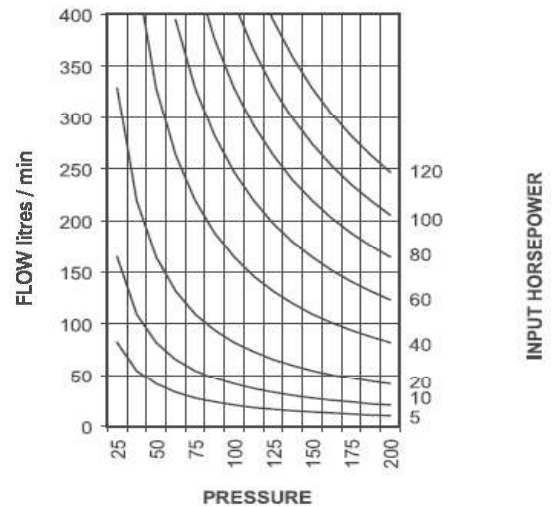
PUMP TYPE	DISPLACEMENT cc/rev	DELIVERY @1500 RPM & PRESSURE P		MAXIMUM CONTINUOUS PRESSURE P		SPEED AT MAXIMUM CONTINUOUS PRESSURE P	
		MIN (lpm)	MAX (lpm)	psi	bar	MAX	MIN
3150	47.07	65.3	70.6	3000	207	2500	700
3180	56.17	78.2	84.2	3000	207	2500	700
3210	65.23	91.7	97.8	3000	207	2500	700
3250	77.15	109.0	115.7	3000	207	2500	700
3300	92.03	130.6	138.0	2525	174	2500	700
3330	101.71	144	152.6	2300	159	2500	700
3380	116.78	166.1	175.2	2000	138	2500	700
3500	153.66	217.9	230.5	1500	100	2500	700

## TYPICAL PERFORMANCE

TYPICAL PUMP DELIVERY  
Flow at Max. Pressure

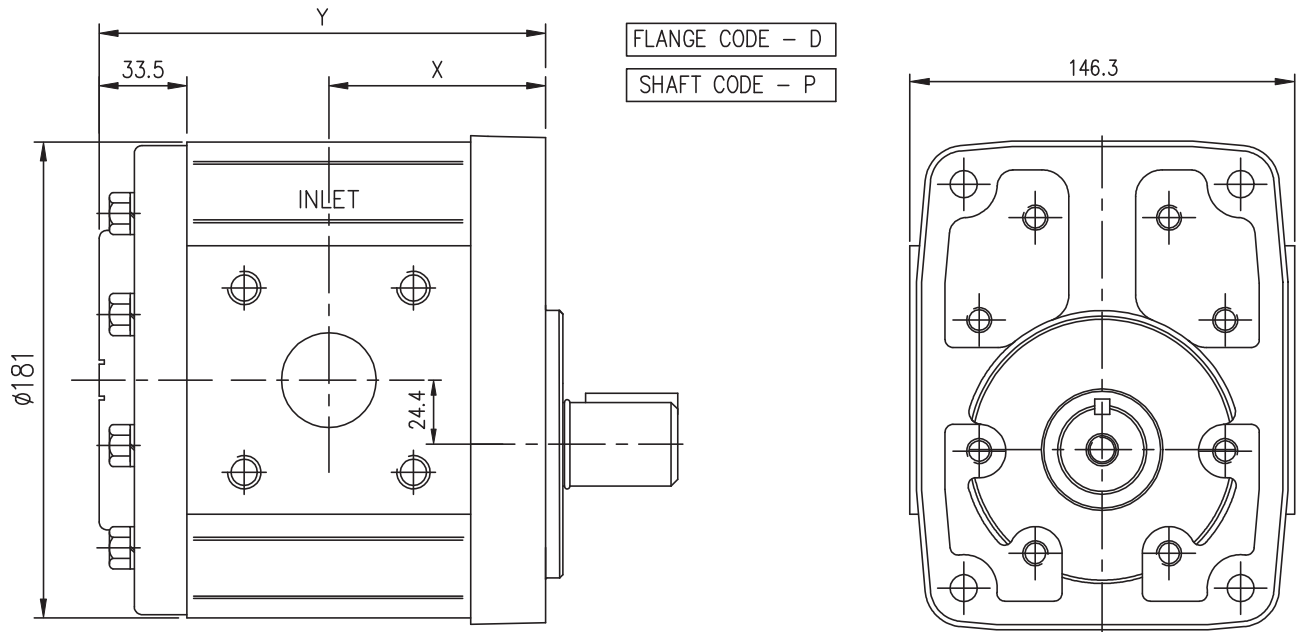


TYPICAL INPUT HORSEPOWER  
Fluid SAE 20W  
Fluid Temperature 50°C



# 3P - PUMP SERIES

## INSTALLATION DIMENSIONS



PUMP TYPE	DIMENSIONS	
	X	Y
3P 3150	70.0	145.1
3P 3180	72.4	150.1
3P 3210	74.9	154.8
3P 3250	78.0	161.2
3P 3300	82.0	169.1
3P 3330	84.6	174.2
3P 3380	88.6	182.3
3P 3500	98.9	202.8

**NOTE:**

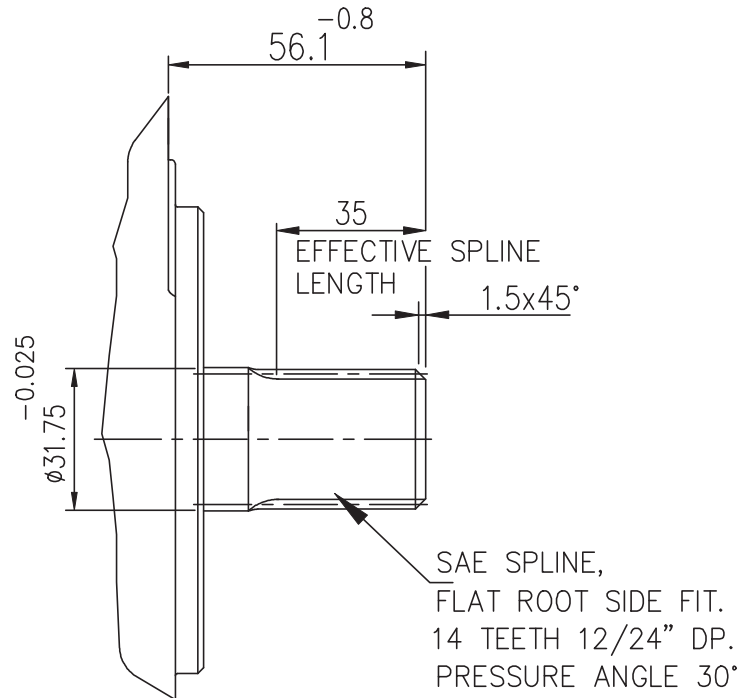
- The representation for the pump assembly drawing is for anti-clockwise direction of shaft rotation as viewed from pump drive shaft end. For clockwise rotation of pump shaft, the position of inlet & outlet ports will interchange.
- Unless otherwise specified, the dimension 'X' is identical for both inlet & outlet port positions

ALL DIMENSIONS ARE IN mm UNLESS OTHERWISE SPECIFIED

# 3P - PUMP SERIES

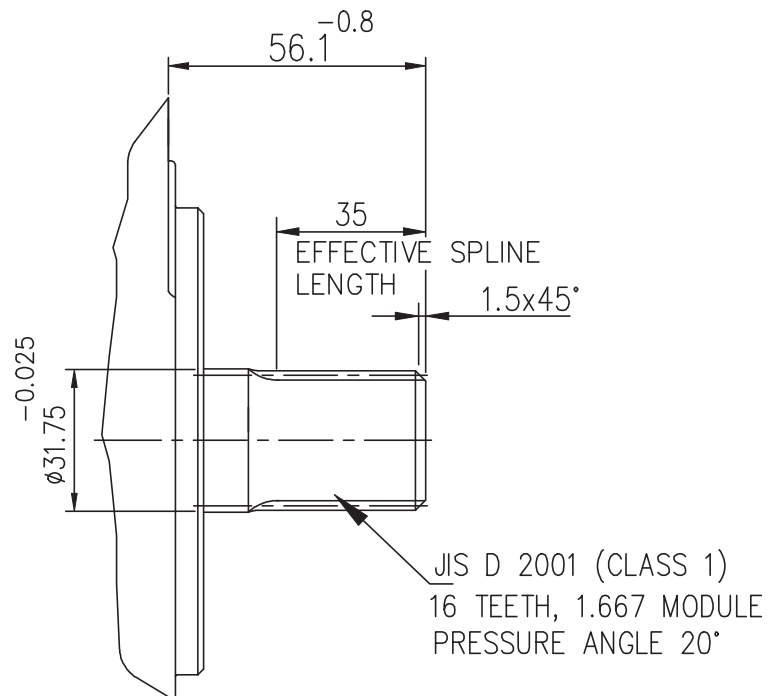
## DRIVE SHAFT CODE - S

FLANGE CODE: D & S



## DRIVE SHAFT CODE - J

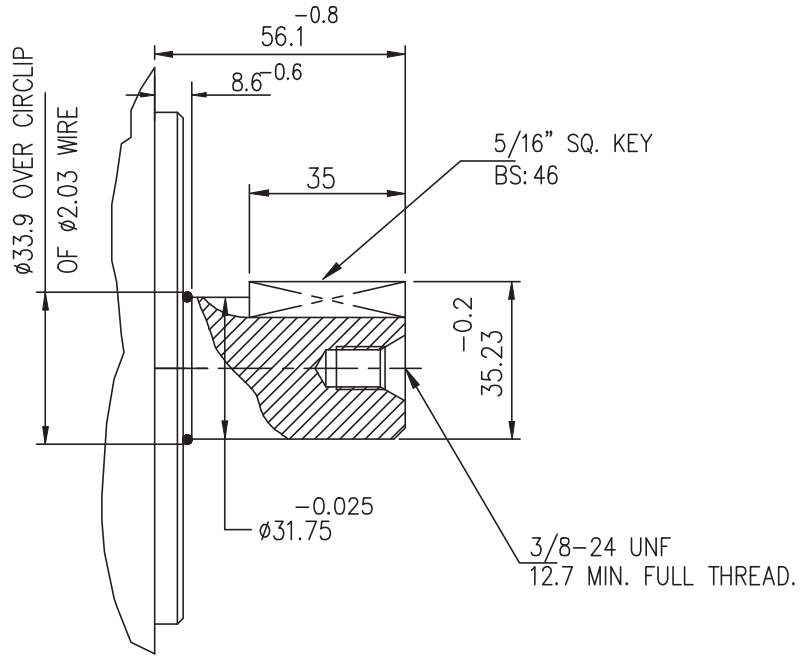
FLANGE CODE: D & S



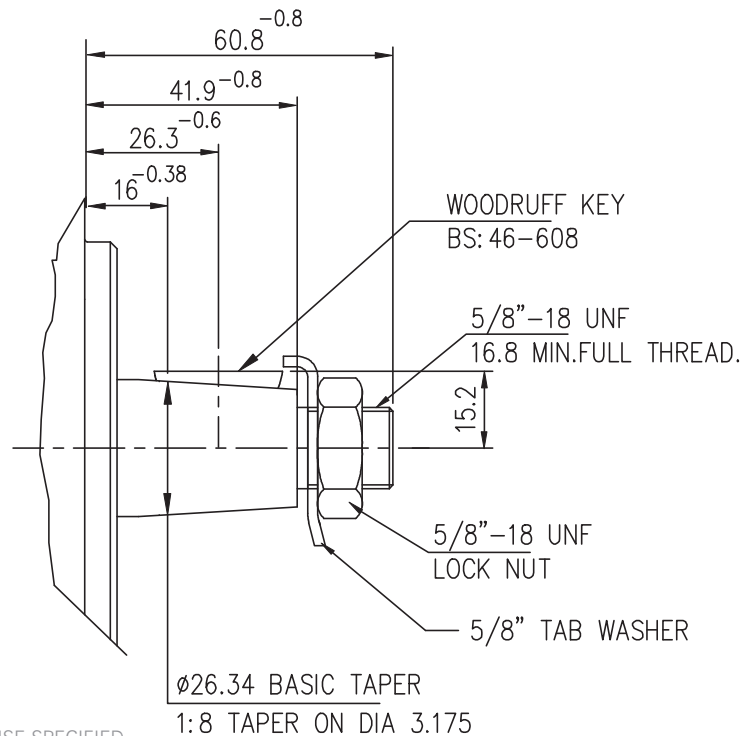
ALL DIMENSIONS ARE IN mm UNLESS OTHERWISE SPECIFIED

# 3P - PUMP SERIES

## DRIVE SHAFT CODE - P FLANGE CODE: D & S



## DRIVE SHAFT CODE - T FLANGE CODE: D & S

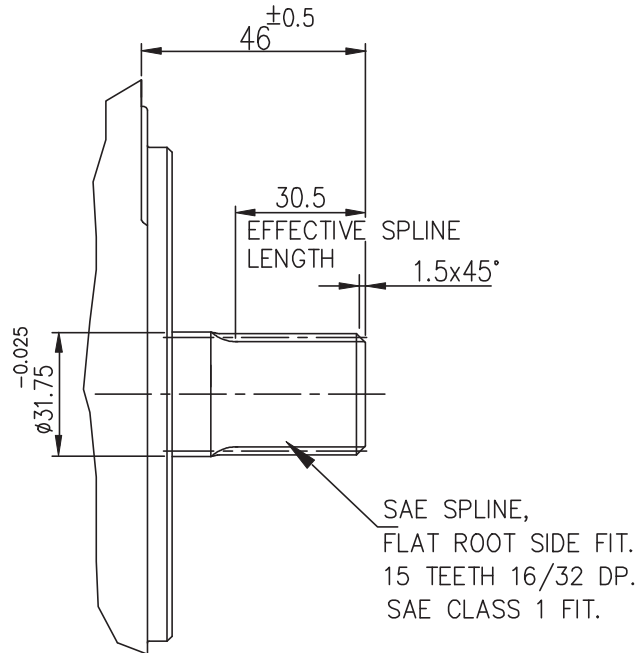


ALL DIMENSIONS ARE IN mm UNLESS OTHERWISE SPECIFIED

# 3P - PUMP SERIES

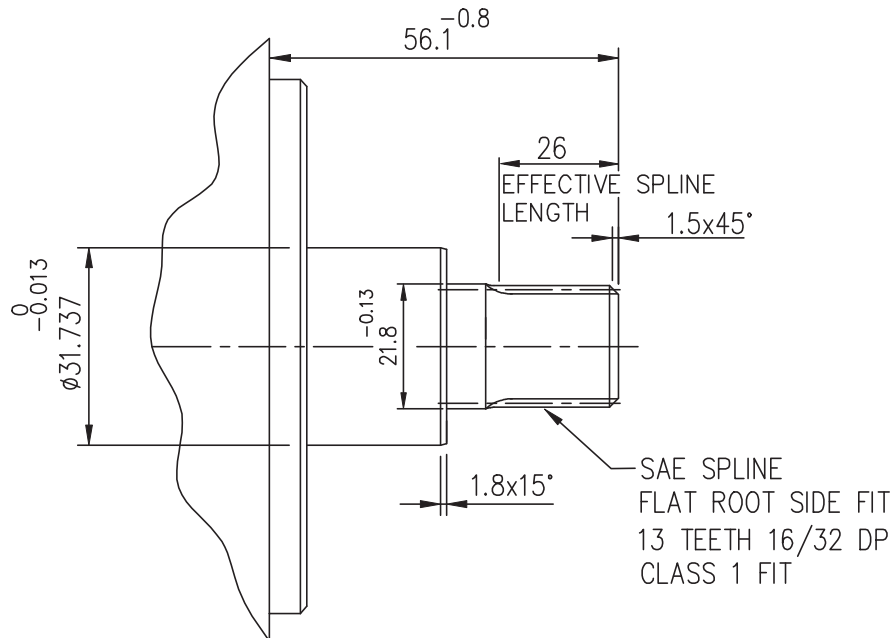
## DRIVE SHAFT CODE - B

FLANGE CODE: B, C & E



## DRIVE SHAFT CODE - C

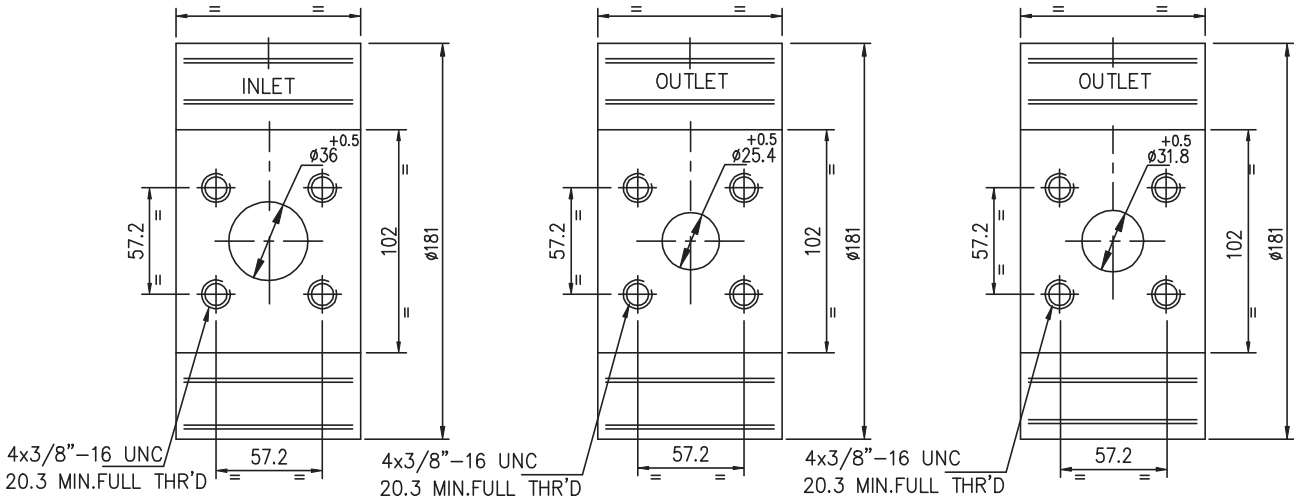
FLANGE CODE: D & S



ALL DIMENSIONS ARE IN mm UNLESS OTHERWISE SPECIFIED

# 3P - PUMP SERIES

## BODY PORTS CODE - F



INLET PORT

PUMP TYPE
3P 3150
3P 3180
3P 3210
3P 3250
3P 3300
3P 3330
3P 3380

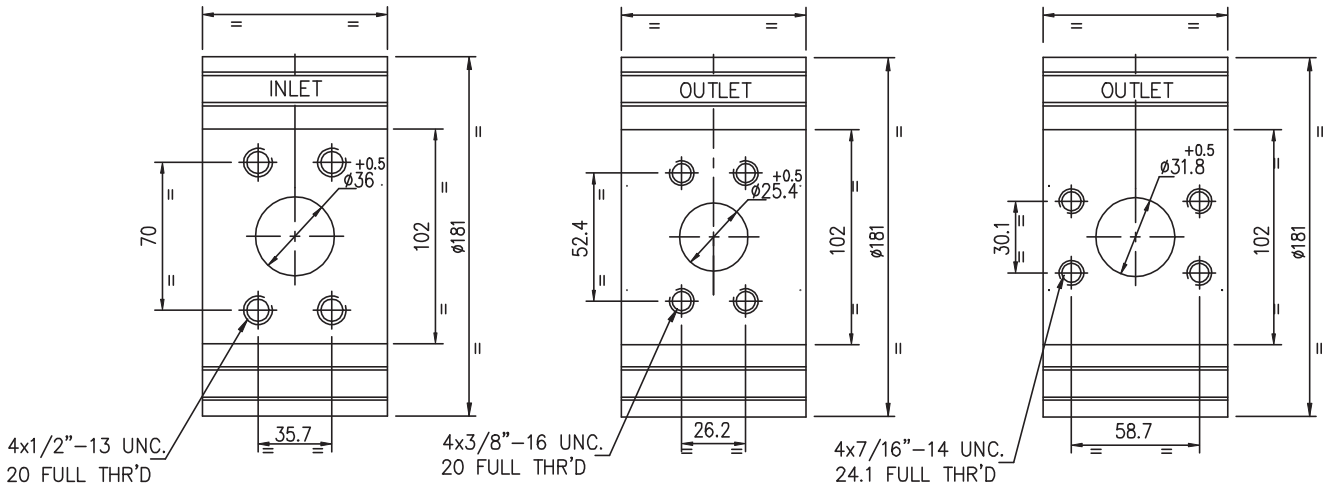
OUTLET PORT

PUMP TYPE
3P 3150
3P 3180
3P 3210
3P 3250
3P 3300

OUTLET PORT

PUMP TYPE
3P 3330
3P 3380

## BODY PORTS CODE - S



INLET PORT

PUMP TYPE
3P 3150
3P 3180
3P 3210
3P 3250
3P 3300
3P 3330
3P 3380

OUTLET PORT

PUMP TYPE
3P 3150
3P 3180
3P 3210
3P 3250
3P 3300

OUTLET PORT

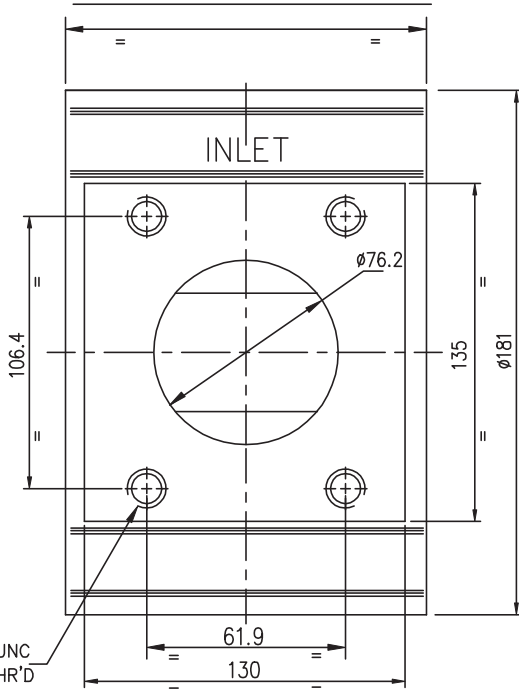
PUMP TYPE
3P 3330
3P 3380

ALL DIMENSIONS ARE IN mm UNLESS OTHERWISE SPECIFIED

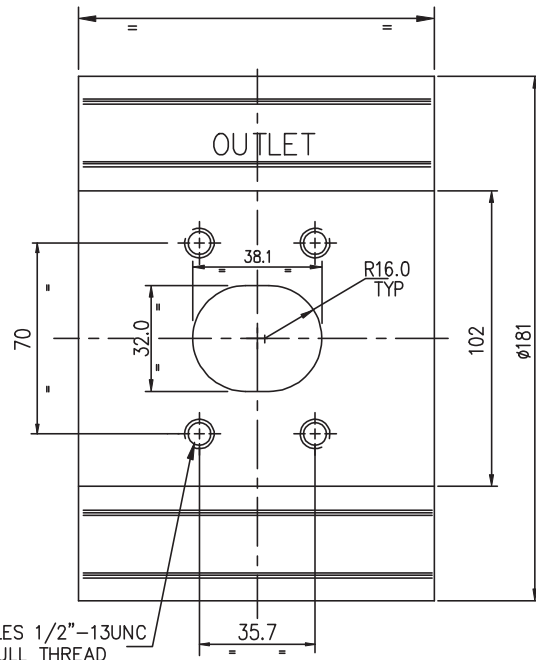
# 3P - PUMP SERIES

## BODY PORTS CODE - S PUMP TYPE - 3P 3500

WITH SUCTION ADAPTOR

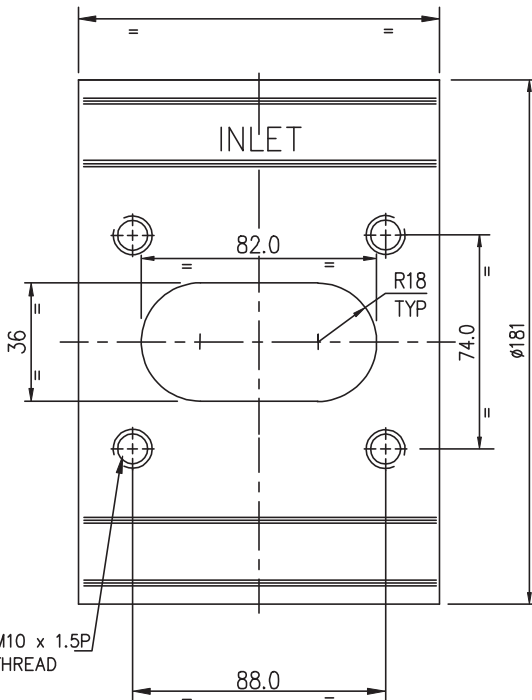


4 x 5/8"-11 UNC  
30 MIN.FULL THR'D

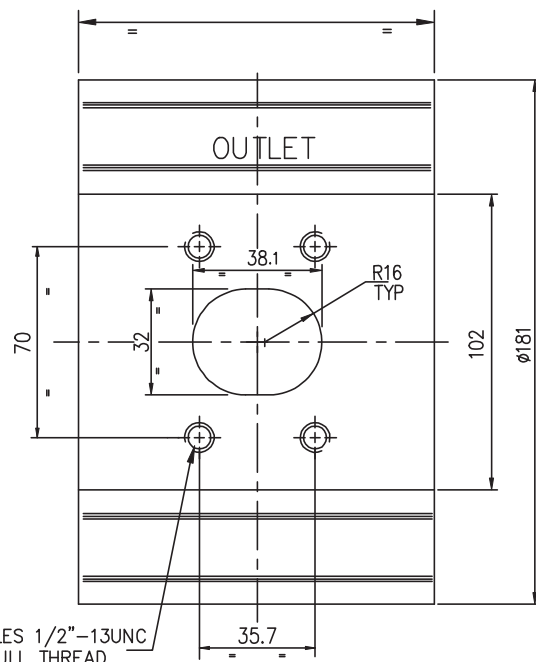


4HOLES 1/2"-13UNC  
20 FULL THREAD

WITH OUT SUCTION ADAPTOR



4 HOLES M10 x 1.5P  
20 FULL THREAD



4HOLES 1/2"-13UNC  
20 FULL THREAD

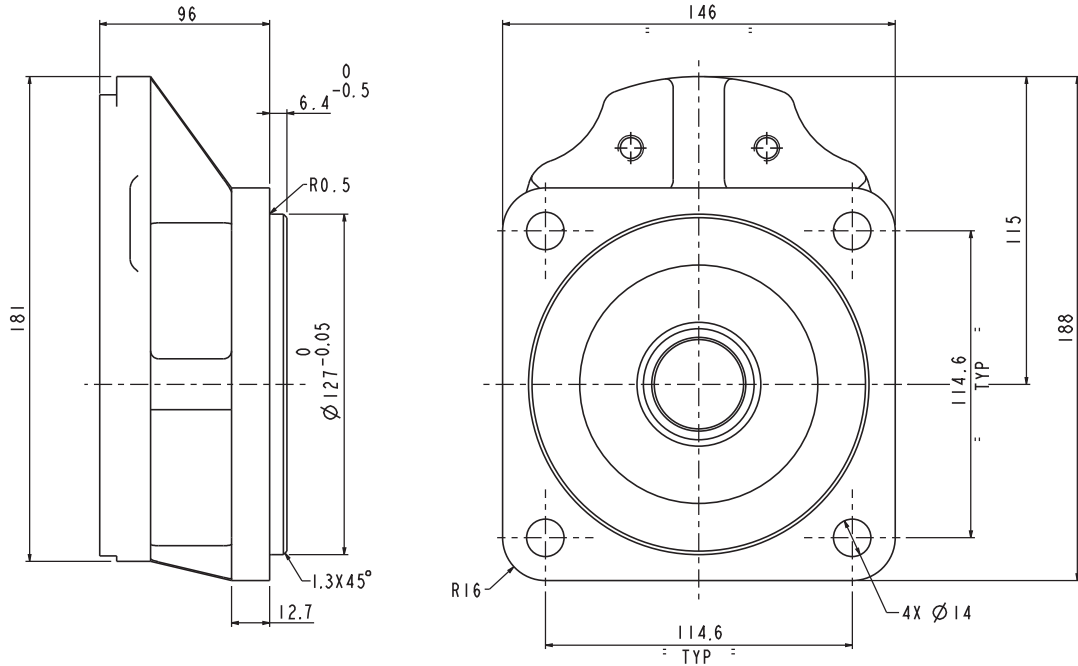
ALL DIMENSIONS ARE IN mm UNLESS OTHERWISE SPECIFIED

# 3P - PUMP SERIES

## MOUNTING FLANGE 4 - BOLT SAE CODE- 3

(With Bearing Support)

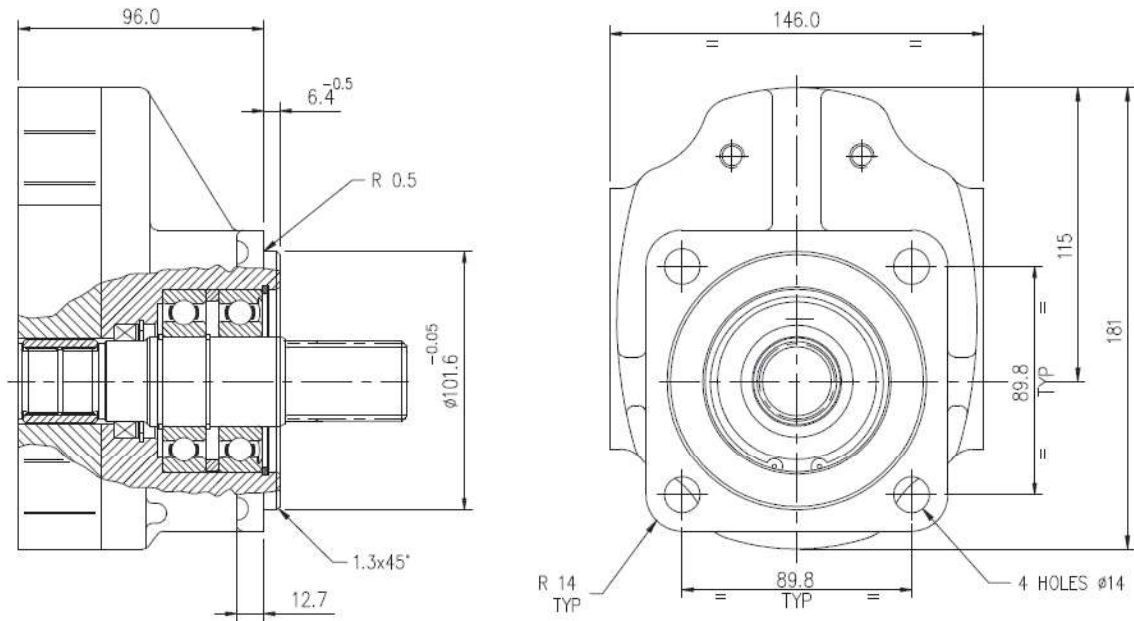
Available with shaft code P and S only



## MOUNTING FLANGE 4-BOLT SAE CODE-2

(With Bearing Support)

Available with shaft code P and S



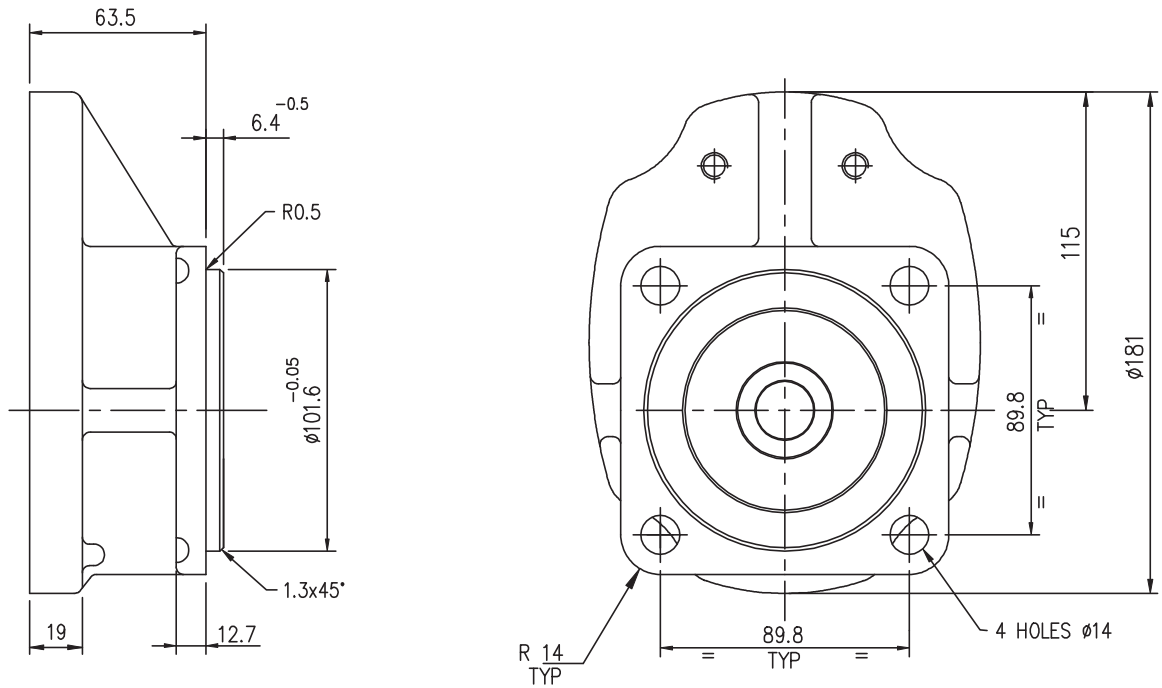
ALL DIMENSIONS ARE IN mm UNLESS OTHERWISE SPECIFIED



# 3P - PUMP SERIES

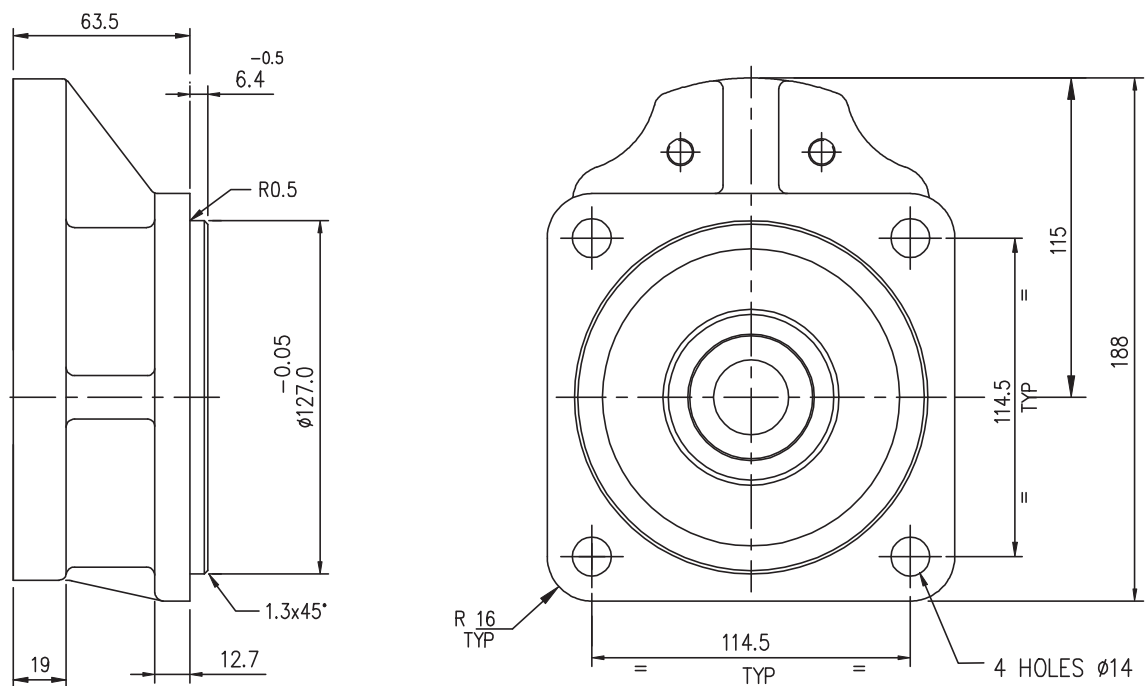
## MOUNTING FLANGE 4-BOLT SAE CODE-B

Available with shaft code P and S



## MOUNTING FLANGE 4-BOLT SAE CODE-C

Available with shaft code P and S

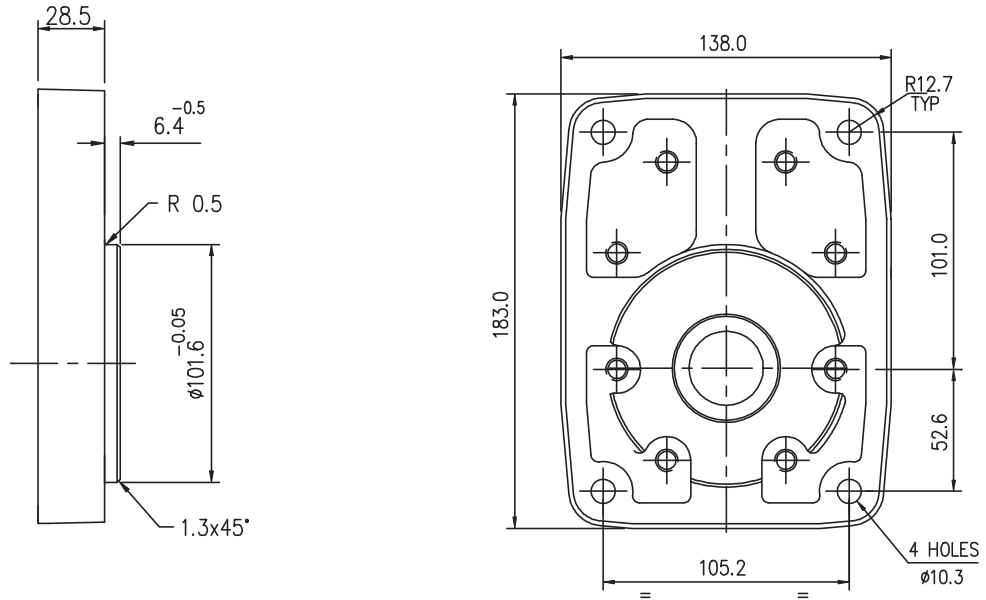


ALL DIMENSIONS ARE IN mm UNLESS OTHERWISE SPECIFIED

# 3P - PUMP SERIES

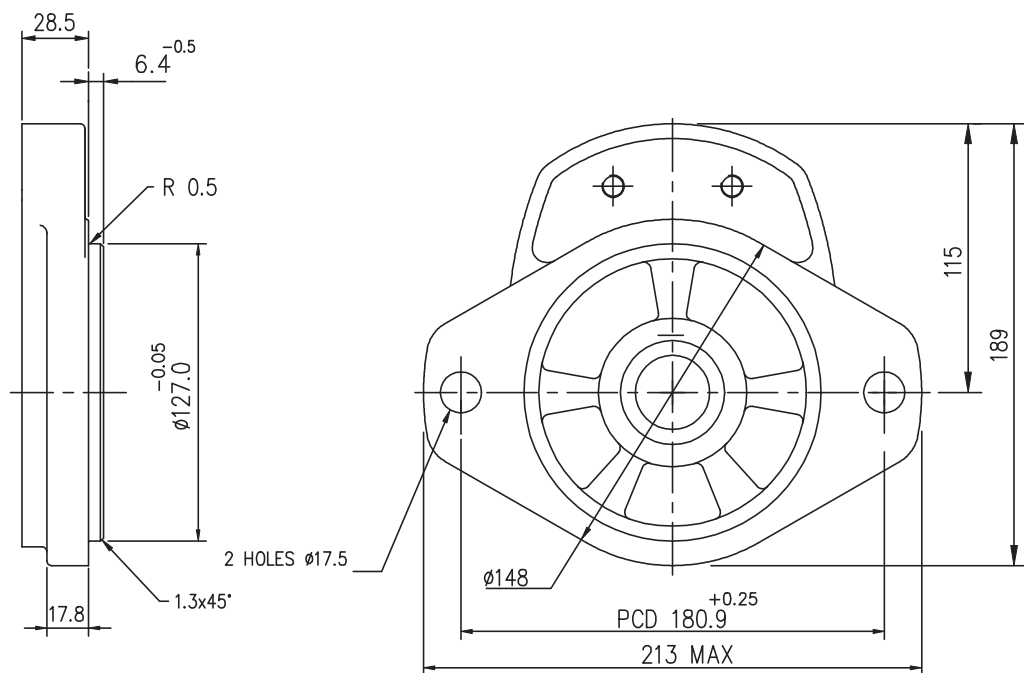
## MOUNTING FLANGE CODE - D

### 4 - BOLT MOUNTING



## MOUNTING FLANGE CODE - S

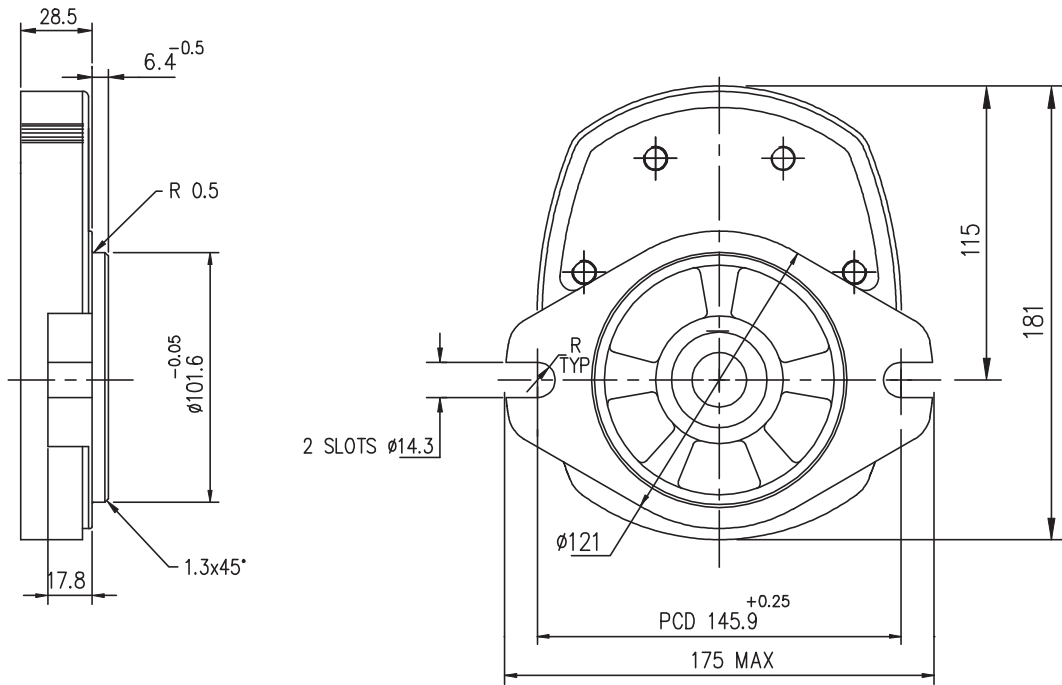
### SAE -C, 2-BOLT MOUNTING



ALL DIMENSIONS ARE IN mm UNLESS OTHERWISE SPECIFIED

# 3P - PUMP SERIES

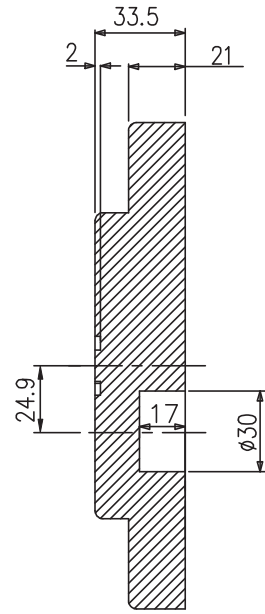
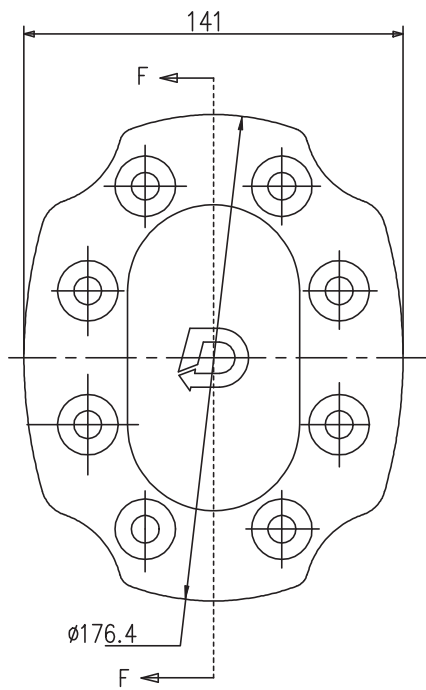
## MOUNTING FLANGE CODE - E SAE-A, 2-BOLT MOUNTING



ALL DIMENSIONS ARE IN mm UNLESS OTHERWISE SPECIFIED

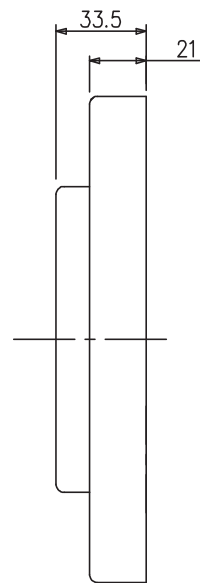
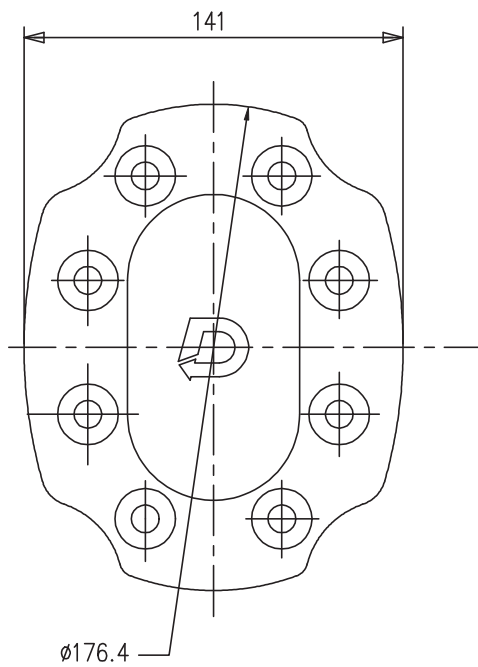
# 3P - PUMP SERIES

## MOUNTING COVER CODE - A



SECTION - FF

## MOUNTING COVER CODE - B



ALL DIMENSIONS ARE IN mm UNLESS OTHERWISE SPECIFIED