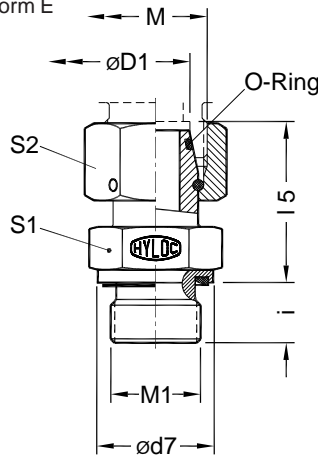


Dimensions in mm

DIN Fittings

Metric Standpipe with Swivel Coupling nut
 Male Metric (M) threads,
 DIN 3852-11 / ISO 9974 Form E
 with Elastomeric seal



Part No.	Series	Tube od øD1	M1 Male Metric thread	M	ød7	i	I 5	S1	S2	O - Ring ID x CSD
EGE06LME	Light L 315 bar	6	M10 x 1.0	M12 x 1.5	14	8	24.5	14	14	4.0 x 1.5
EGE08LME		8	M12 x 1.5	M14 x 1.5	17	12	26.5	17	17	6.0 x 1.5
EGE10LME		10	M14 x 1.5	M16 x 1.5	19	12	27.5	19	19	7.5 x 1.5
EGE12LME		12	M16 x 1.5	M18 x 1.5	22	12	30.5	22	22	9.0 x 1.5
EGE15LME		15	M18 x 1.5	M22 x 1.5	24	12	31.5	24	27	12.0 x 2.0
EGE18LME		18	M22 x 1.5	M26 x 1.5	27	14	31.5	27	32	15.0 x 2.0
EGE22LME	160 bar	22	M26 x 1.5	M30 x 2.0	32	16	32.5	32	36	20.0 x 2.0
EGE28LME		28	M33 x 2.0	M36 x 2.0	40	18	35.0	41	41	26.0 x 2.0
EGE35LME		35	M42 x 2.0	M45 x 2.0	50	20	42.5	50	50	32.0 x 2.5
EGE42LME		42	M48 x 2.0	M52 x 2.0	55	22	46.5	55	60	38.0 x 2.5
EGE06SME	Heavy S 630 bar	6	M12 x 1.5	M14 x 1.5	17	12	27.0	17	17	4.0 x 1.5
EGE08SME		8	M14 x 1.5	M16 x 1.5	19	12	29.5	19	19	6.0 x 1.5
EGE10SME		10	M16 x 1.5	M18 x 1.5	22	12	32.0	22	22	7.5 x 1.5
EGE12SME		12	M18 x 1.5	M20 x 1.5	24	12	34.0	24	24	9.0 x 1.5
EGE16SME	400 bar	16	M22 x 1.5	M24 x 1.5	27	14	37.0	27	30	12.0 x 2.0
EGE20SME		20	M27 x 2.0	M30 x 2.0	32	16	43.0	32	36	16.3 x 2.4
EGE25SME		25	M33 x 2.0	M36 x 2.0	40	18	48.0	41	46	20.3 x 2.4
EGE30SME		30	M42 x 2.0	M42 x 2.0	50	20	51.0	50	50	25.3 x 2.4
EGE38SME	315 bar	38	M48 x 2.0	M52 x 2.0	55	22	60.0	55	60	33.3 x 2.4