



PILOT OPERATED DIRECTIONAL CONTROL VALVE 4DP20

ENGINEERING

1

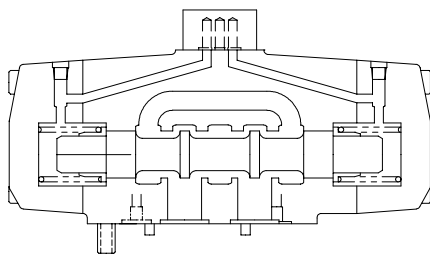
Ref. No. P04161
Release 07/2002

Description

Available as spring centered, spring offset Valve
mounting interface conforms to International and National
standards.

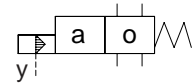


Section

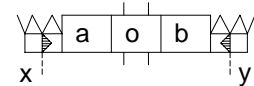


Hydraulic Symbol

2 position spring offset



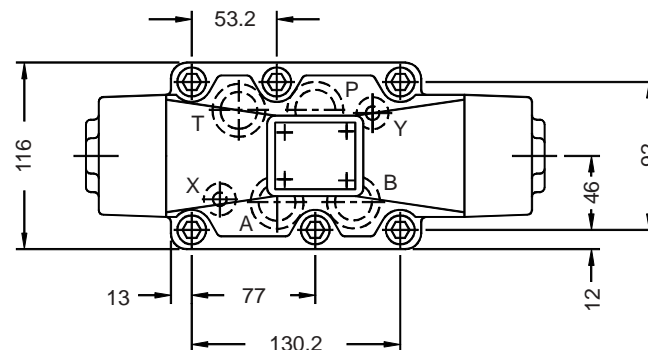
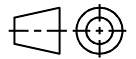
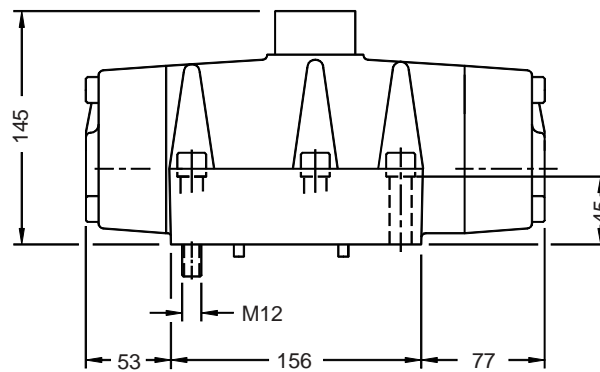
3 position spring centred



Unit dimension

Valve

Dimensions in mm.



Polyhydron Pvt. Ltd.
78-80, Machhe Industrial Estate,
Machhe, Belgaum - 590 014. INDIA.

Phone : +91-(0)831-411001
Fax : +91-(0)831-411002
E-mail : polyhydron@vsnl.com
Website : www.polyhydron.com



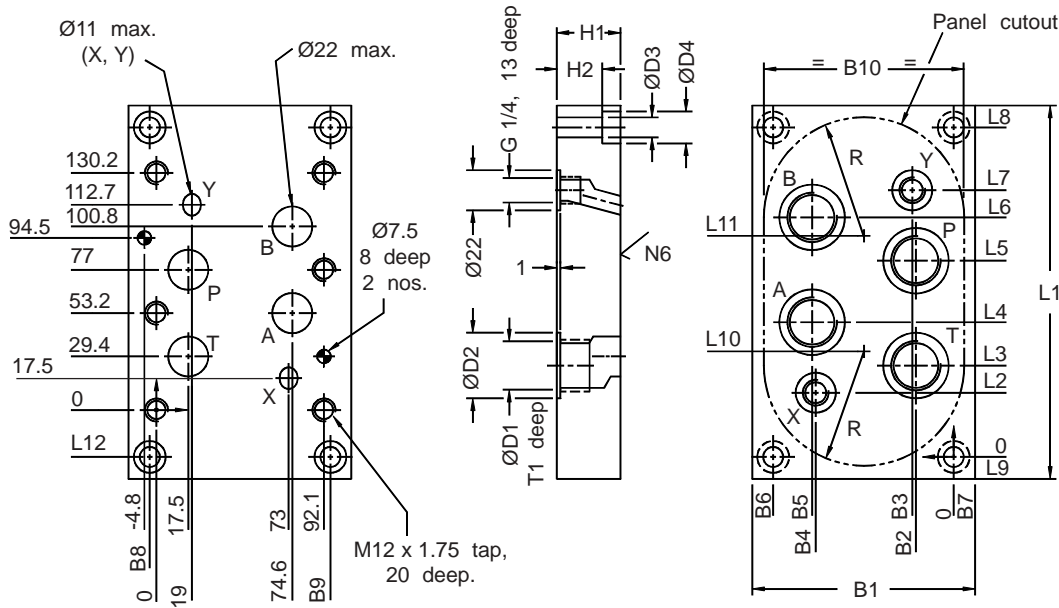
PILOT OPERATED DIRECTIONAL CONTROL VALVE 4DP20

ENGINEERING

2

Ref. No. P04161

Subplate



Subplate type	ØD1	ØD2	T1	ØD3	ØD4	H1	H2	B1	B2	B3	B4	B5	B6	B7	B8	B9
1SD07G06	G 3/4	36	18	11	17.5	35	25	116	17.5	19	73	74.5	92.1	-12	0	92.
1SD07G08	G 1	44	18	11	17.5	35	25	116	17.5	19	73	74.5	92.1	-12	0	92.
1SD07G10	G1 1/4	54	21	14	--	78	43	170	32	36	106	110	142	-14	-25	11

Subplate type	B10	L1	L2	L3	L4	L5	L6	L7	L8	L9	L10	L11	L12	R	Mass kg.
1SD07G06	110	205	35.3	50.2	74	107.8	131.6	146.5	181	-12	50.2	131.6	-25.8	55	6
1SD07G08	110	205	35.3	50.2	74	107.8	131.6	146.5	181	-12	50.2	131.6	-25.8	55	6
1SD07G10	160	250	16.8	60.2	84	137.8	161.6	205	222	-14	103	119	-46	113	19

Note : Valve fixing screws M12 X 1.75, 65 long. 6 nos. Property class 12.9,
Tightening torque 105 Nm.

Technical specification

Construction	Spool type
Mounting	Subplate mounting as per ISO 4401 - AE - 08 - 4 - A and IS - 10187 - 20 mm. diameter nominal port.
Mounting position	Optional
Flow direction	As per spool type.
Operating pressure	For port P, A, B, X and Y 350 bar For port T 250 bar
Minimum pilot pressure	5 bar
Hydraulic medium	Mineral oil
Viscosity range	10 cSt to 380 cSt.
Fluid temperature range	-20 °C to +70 °C
Fluid cleanliness requirement	As per ISO 16/13 or better.
Maximum flow handling capacity	Refer performance curves.
Mass	17.5 kg. APPROX.



**PILOT OPERATED
DIRECTIONAL CONTROL VALVE
4DP20**

ENGINEERING

3

Ref. No. P04161

Performance Curve

Oil used : ISO VG 68, Viscosity : 68 cSt @ 40 °C, Temp test : 50 °C.

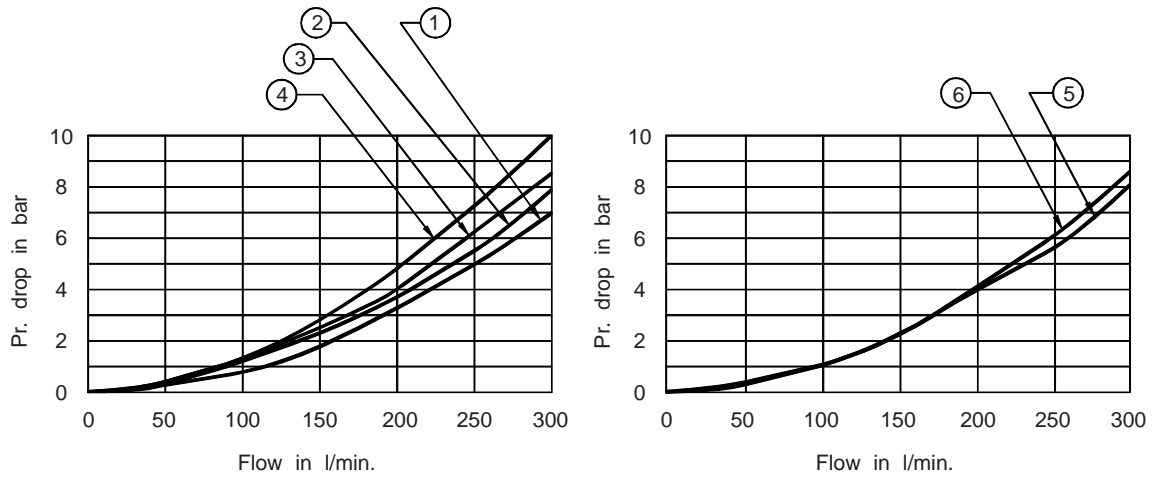


Table showing the relation between the spool type, direction of flow and curve in the above graph to be referred to.

Direction of flow	P to T	P to A	P to B	A to T	B to T
Spool type	Curve No.				
E	--	2	2	2	2
F	--	1	1	1	2
G	3	6	6	5	4
H	--	--	--	1	1
J	--	2	2	1	1
L	--	2	2	1	2
P	--	1	1	2	1



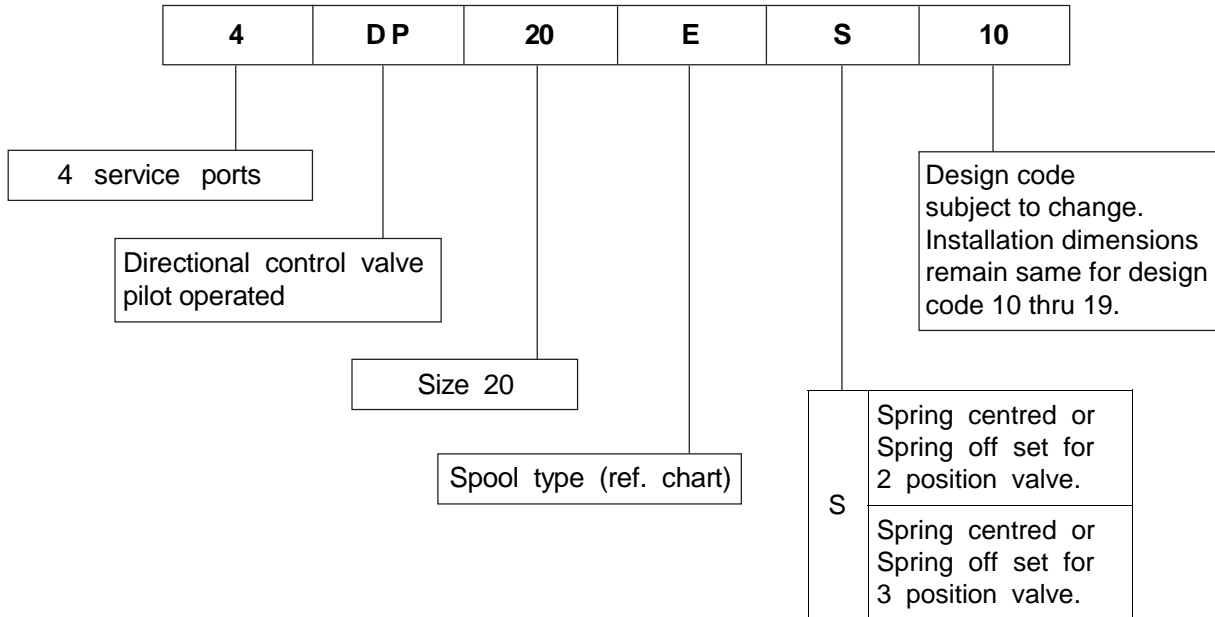
**PILOT OPERATED
DIRECTIONAL CONTROL VALVE
4DP20**

ENGINEERING

4

Ref. No. P04161

Ordering code



Spool Chart

Type	Symbol	Crossover	Type	Symbol	Crossover
	a 0			a 0 b	
	A B			A B	
C			T		
D			M		
E			P		
F			Q		
G			U		
H			V		
J					
L					

Note : Subplate to be ordered separately.