



# RETURNLINE FILTER RF

ENGINEERING

1

Ref. No. P04079

Release 03/2004

## Description

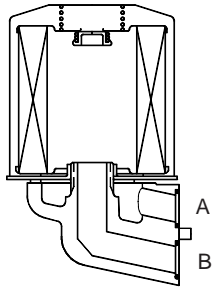
Sub-plate mounting style return line filter.

Paper element filtration media.

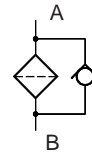
Spin on disposable canisters.



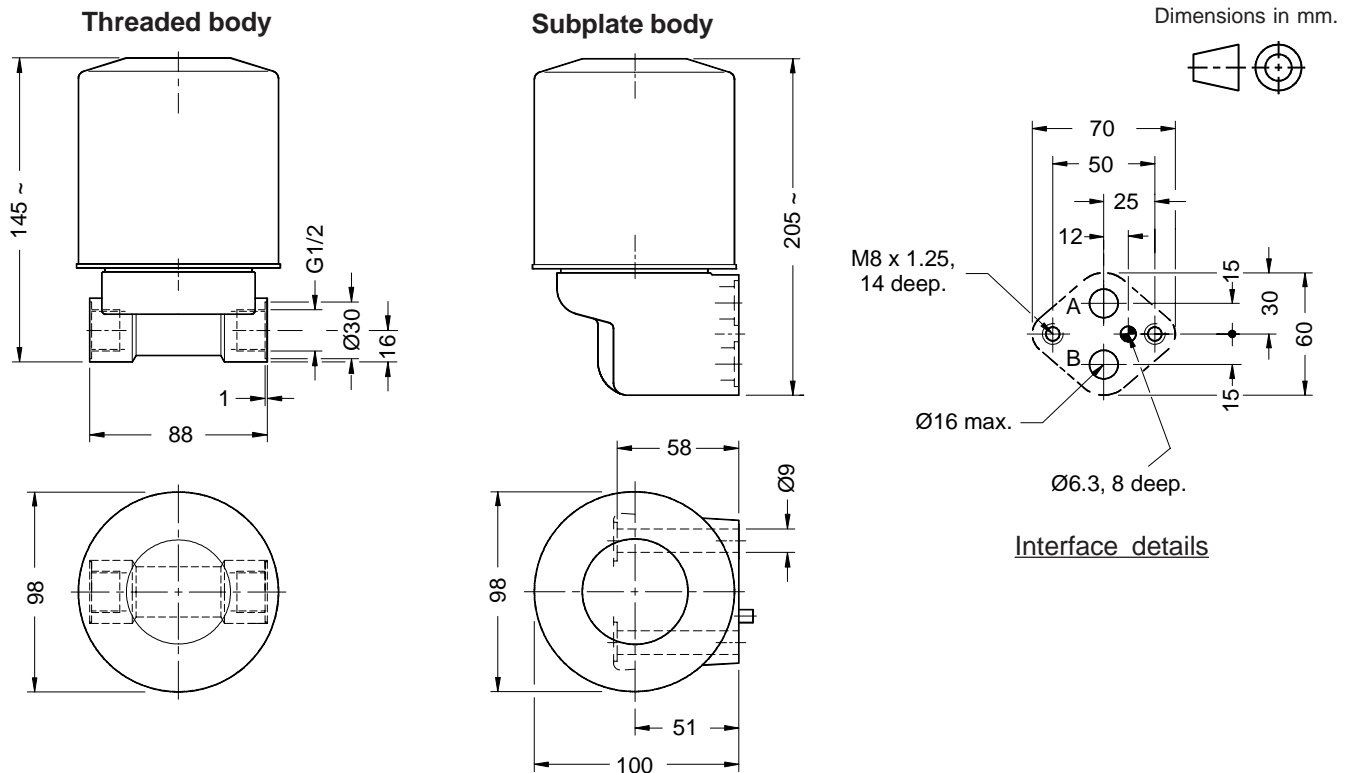
## Section



### Hydraulic symbol



## Unit dimension



**Polyhydron Pvt. Ltd.**

78-80, Machhe Industrial Estate,  
Machhe, Belgaum - 590 014. INDIA.

Phone : +91-(0)831-2411001  
Fax : +91-(0)831-2411002  
E-mail : polyhydron@vsnl.com  
Website : www.polyhydron.com

P04079



# RETURNLINE FILTER RF

ENGINEERING

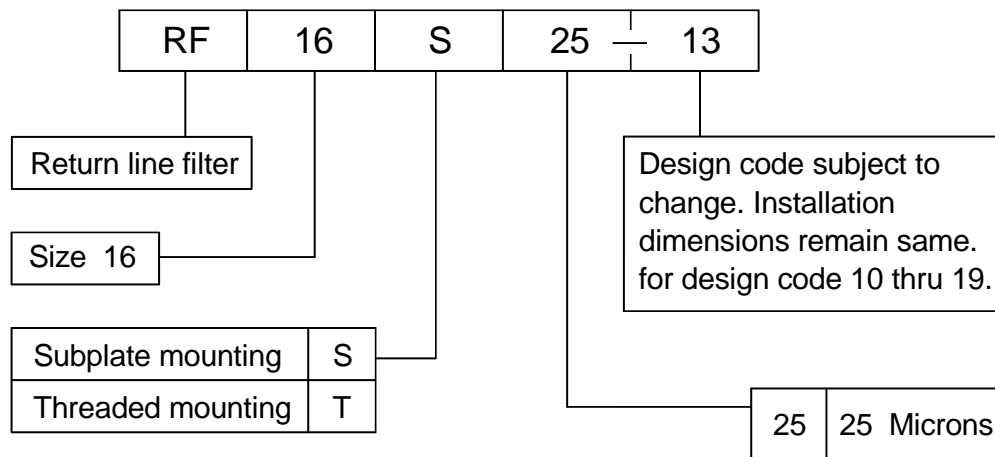
2

Ref. No. P04079

## Technical specification

Hydraulic medium .....	Petroleum and mineral based oils only.
Maximum working pressure .....	7 bar.
Working temperature range .....	-20 °C to -70 °C.
Flow handling capacity .....	40 l/min. (nominal).
Filtration capacity - RF S25 .....	25 Microns nominal.
Mass .....	1.2 kg.

## Ordering Code



All rights reserved.  
Subject to revision.