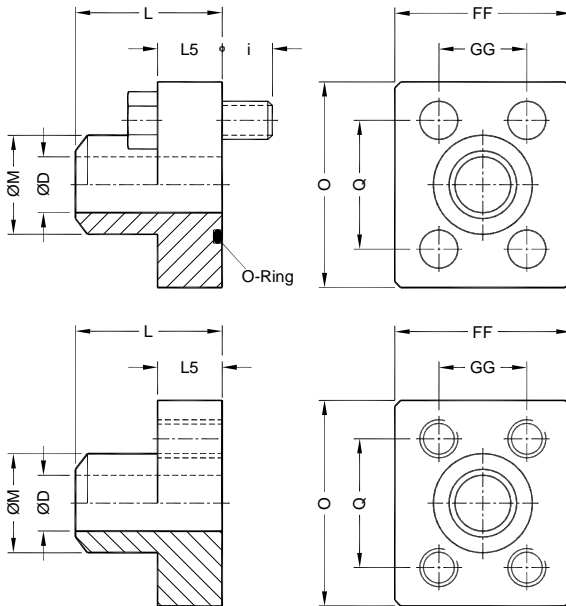


# Buttweld Solid Flanges

SBO / SBOC

Dimensions in mm

Mounting Interface conforms to ISO 6162



Flanges  
Model : SBO

Counter Flanges  
Model : SBOC

## Standard Pressure Series (Code 61)

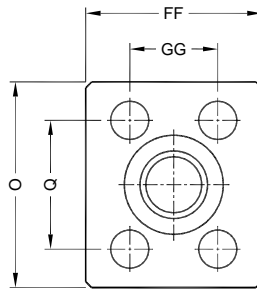
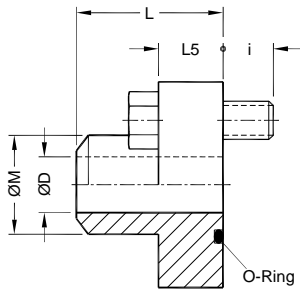
Part No. Flanges	Part No. Counter Flanges	Size	Pipe Sch	Pr (bar)	øM	øD	O	Q	FF	GG	L5	i	L	O' Ring (Viton) 90 ± 5 Shore	Hex. bolts (10.9)
SBO-21.3-80	SBOC-21.3-80	1/2"	80	288	21.3	14	54	38.1	38	17.5	13	12	32	19.0 x 3.55	M8 x 25
SBO-21.3-160	SBOC-21.3-160		160	345		12									
SBO-26.6-80	SBOC-26.6-80	3/4"	80	246	26.6	19	65	47.6	45	22.3	15	15	32	25.0 x 3.55	M10x30
SBO-26.6-160	SBOC-26.6-160		160	345		15									
SBO-33.4-80	SBOC-33.4-80	1"	80	246	33.4	24	70	52.4	51	26.2	15	15	32	32.5 x 3.55	M10x30
SBO-33.4-160	SBOC-33.4-160		160	345		21									
SBO-42.2-80	SBOC-42.2-80	1 1/4"	80	211	42.2	32	79	58.7	64	30.2	15	15	32	37.5 x 3.55	M10x30
SBO-42.2-160	SBOC-42.2-160		160	276		30									
SBO-48.3-80	SBOC-48.3-80	1 1/2"	80	197	48.3	38	94	69.9	70	35.7	17	18	38	47.5 x 3.55	M12x35
SBO-60.3-80	SBOC-60.3-80	2"	80	176	60.3	49	102	77.8	83	42.9	17	18	38	56.0 x 3.55	M12x35
SBO-60.3-160	SBOC-60.3-160		160	207		43									
SBO-73.0-40	SBOC-73.0-40	2 1/2"	40	134	73.0	63	114	88.9	102	50.8	22	18	45	69.0 x 3.55	M12x40
SBO-73.0-80	SBOC-73.0-80		80	172		59									
SBO-88.9-40	SBOC-88.9-40	3"	40	113	88.9	78	135	106.4	114	61.9	26	24	51	85.0 x 3.55	M16x50
SBO-88.9-80	SBOC-88.9-80		80	138		74									
SBO-101.6-40	SBOC-101.6-40	3 1/2"	40	34	101.6	90	152	120.7	127	69.9	26	24	38	97.5 x 3.55	M16x50
SBO-114.3-40	SBOC-114.3-40	4"	40	34	114.3	102	162	130.2	140	77.8	26	24	38	112.0 x 3.55	M16x50
SBO-141.3-40	SBOC-141.3-40	5"	40	34	141.3	128	184	152.4	178	92.1	26	24	51	136.0 x 3.55	M16x50

# Buttweld Solid Flanges

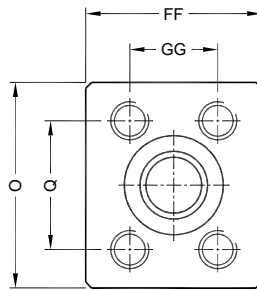
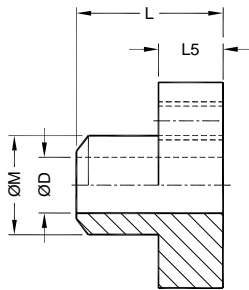
# HBO / HBOC

Dimensions in mm

Mounting Interface conforms to ISO 6162



Flanges  
Model : HBO



Counter Flanges  
Model : HBOC

## High Pressure Series (Code 62)

Part No. Flanges	Part No. Counter Flanges	Size	Pipe Sch	Pr (bar)	ØM	ØD	O	Q	FF	GG	L5	i	L	O' Ring (Viton) 90 ± 5 Shore	Hex. bolts (10.9)
HBO-21.3-160	HBOC-21.3-160	1/2"	160	414	21.3	12	56	40.5	45	18.2	18	12	32	19.0 x 3.55	M8 x 30
HBO-26.6-160	HBOC-26.6-160	3/4"	160	414	26.6	16	71	50.8	51	23.8	20	15	32	25.0 x 3.55	M10x35
HBO-33.4-160	HBOC-33.4-160	1"	160	401	33.4	21	81	57.2	57	27.8	22	18	32	32.5 x 3.55	M12x40
HBO-42.2-160	HBOC-42.2-160	1.1/4"	160	310	42.2	30	95	66.6	70	31.8	22	18	32	37.5 x 3.55	M12x40
HBO-42.2-XXS	HBOC-42.2-XXS		XXS	414		23									
HBO-48.3-160	HBOC-48.3-160	1.1/2"	160	317	48.3	34	113	79.3	83	36.5	21	24	38	47.5 x 3.55	M16x45
HBO-48.3-XXS	HBOC-48.3-XXS		XXS	414		28									
HBO-60.3-160	HBOC-60.3-160	2"	160	324	60.3	43	133	96.8	102	44.5	30	30	45	56.0 x 3.55	M20x60
HBO-60.3-XXS	HBOC-60.3-XXS		XXS	414		38									
HBO-73.0-160	HBOC-73.0-160	2 1/2"	160	296	73.0	54	175	123.8	127	58.7	32	33	51	69.0 x 3.55	M22x65
HBO-73.0-XXS	HBOC-73.0-XXS		XXS	414	73.0	45	175	123.8	127	58.7	32	33	51	69.0 x 3.55	M22x65
HBO-88.9-160	HBOC-88.9-160	3"	160	288	88.9	66	216	152.4	153	71.4	35	45	63	85.0 x 3.55	M30x80
HBO-88.9-XXS	HBOC-88.9-XXS		XXS	414		58									