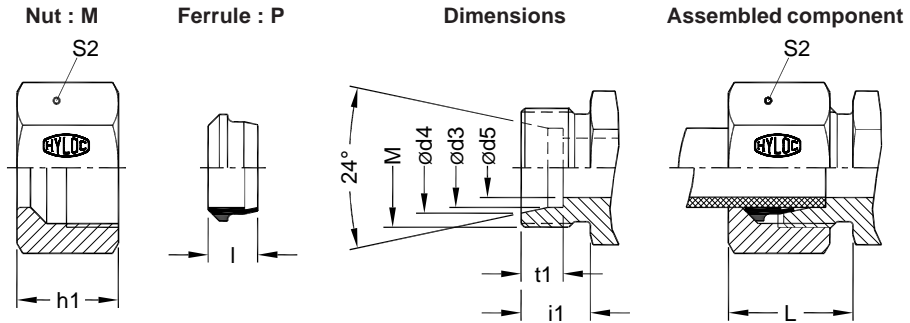


## Tube Connection Parts

Metric Tube end as per ISO 8434

All dimensions in millimeters.



\*

Part No Nut	Part No Ferrule	Series	Tube od	DN Size	M	Ød3	Ød4	Ød5	t 1	i 1	S2	h1	l	L
M04LL	P04LL	LL	4	3	M 8 x 1.0	4	5.0	3	4.0	8	10	11.5	7.0	14
M05LL	P05LL	Very Light	5	--	M 10 x 1.0	5	6.5	3.5	5.5	8	12	11.5	7.0	14
M06LL	P06LL	NP 100	6	4	M 10 x 1.0	6	7.5	4.5	5.5	8	12	12.0	7.0	14
M08LL	P08LL		8	6	M 12 x 1.0	8	9.5	6	5.5	9	14	12.5	7.0	15
M06L	P06L	L	6	4	M 12 x 1.5	6	8.1	4	7.0	10	14	14.5	10.0	18
M08L	P08L	Light	8	6	M 14 x 1.5	8	10.1	6	7.0	10	17	14.5	9.5	18
M10L	P10L	NP 250	10	8	M 16 x 1.5	10	12.3	8	7.0	11	19	15.5	10.0	20
M12L	P12L		12	10	M 18 x 1.5	12	14.3	10	7.0	11	22	15.5	9.5	19
M15L	P15L		15	12	M 22 x 1.5	15	17.3	12	7.0	12	27	17.0	10.0	21
M18L	P18L	NP 160	18	16	M 26 x 1.5	18	20.3	15	7.5	12	32	18.0	10.0	22
M22L	P22L		22	20	M 30 x 2.0	22	24.3	19	7.5	14	36	20.0	10.5	24
M28L	P28L	NP 100	28	25	M 36 x 2.0	28	30.3	24	7.5	14	41	21.0	11.0	25
M35L	P35L		35	32	M 45 x 2.0	35	38.0	30	10.5	16	50	24.0	13.0	28
M42L	P42L		42	40	M 52 x 2.0	42	45.0	36	11.0	16	60	24.0	13.0	28
M06S	P06S	S	6	3	M 14 x 1.5	6	8.1	4	7.0	12	17	16.5	10.0	20
M08S	P08S	Heavy	8	4	M 16 x 1.5	8	10.1	5	7.0	12	19	16.5	9.5	20
M10S	P10S	NP 630	10	6	M 18 x 1.5	10	12.3	7	7.5	12	22	17.5	10.0	22
M12S	P12S		12	8	M 20 x 1.5	12	14.3	8	7.5	12	24	17.5	9.5	21
M16S	P16S	NP 400	16	12	M 24 x 1.5	16	18.3	12	8.5	14	30	20.5	10.0	25
M20S	P20S		20	16	M 30 x 2.0	20	22.9	16	10.5	16	36	24.0	12.0	28
M25S	P25S		25	20	M 36 x 2.0	25	27.9	20	12.0	18	46	27.0	12.0	31
M30S	P30S	NP 250	30	25	M 42 x 2.0	30	33.0	25	13.5	20	50	29.0	13.0	35
M38S	P38S		38	32	M 52 x 2.0	38	41.0	32	16.0	22	60	32.5	13.0	38

\* Dimensions given are approx figures with tightened nut.