

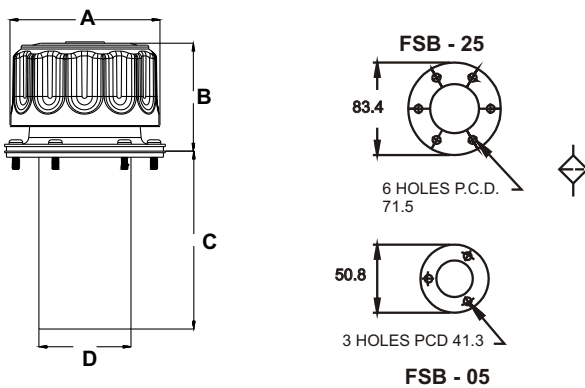
# BREATHER - FSB / TB



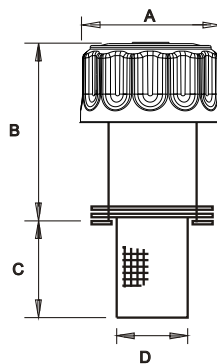
- CHROME PLATED STEEL CAP - VENTS UNDERNEATH
- ALTERNATE CAP FINISH BLACK POWDER COATED
- FILTRATION 40 MICRONS STANDARD / OPTIONAL 10 & 3 MICRONS
- AIR FLOWS TO 25 CFM ( 750 LPM )
- RUGGED CAST ALUMINIUM HOUSING ( FOR BM MODEL )
- METAL STRAINER - STANDARD
- HARDWARE INCLUDES GASKETS & (10-32) SCREWS



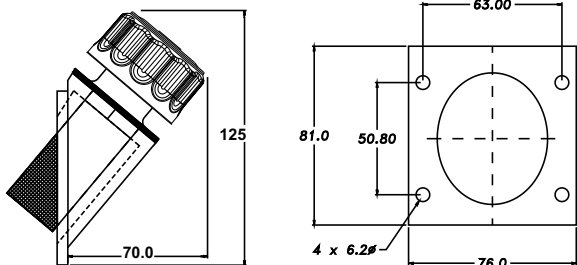
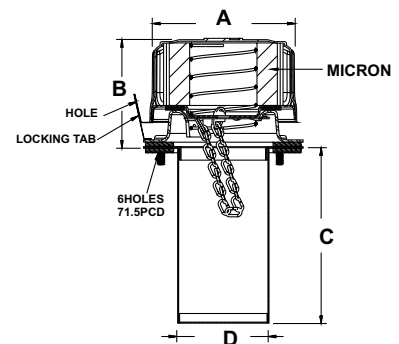
## FLANGE TYPE



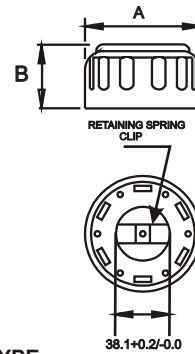
## FLANGE TYPE HIGH NECK



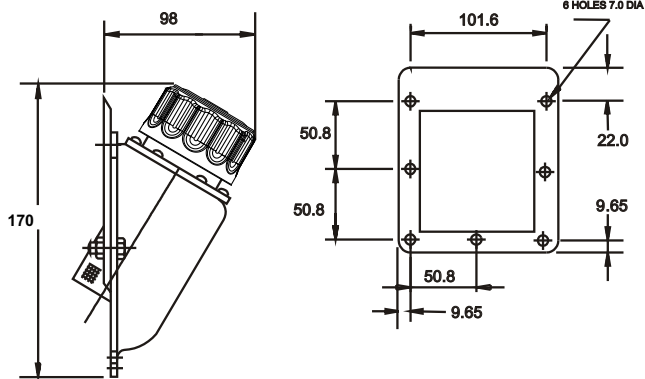
## OPTIONAL FEATURES



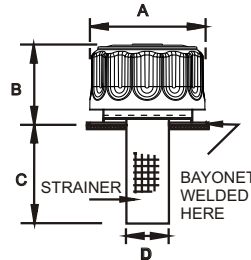
## PUSH ON TYPE PB-25



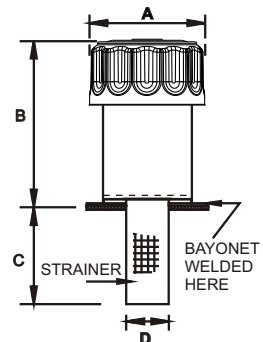
## SIDE MOUNT



## WELD TYPE



## WELD TYPE HIGH NECK



# OPTIONAL / SPECIAL FEATURE ( CONSULT FACTORY ) - OMIT IF NOT REQUIRED

# BREATHER - FSB / TB



| MODEL          | DISPLACEMENT |     | RATING  |    |     |    | WT |      |
|----------------|--------------|-----|---------|----|-----|----|----|------|
|                |              |     | MICRONS |    |     |    |    | KGS  |
|                |              |     | A       | B  | C * | D  |    |      |
| FSB - 05       | 150          | LPM | 40      | 46 | 52  | 65 | 28 | 0.10 |
| FSB - 05 - 10  | 90           | LPM | 10      | 46 | 52  | 65 | 28 | 0.10 |
| FSB - 25       | 720          | LPM | 40      | 77 | 52  | 91 | 48 | 0.25 |
| FSB - 25 - 10  | 400          | LPM | 10      | 77 | 52  | 91 | 48 | 0.25 |
| FSBW - 25      | 720          | LPM | 40      | 77 | 52  | 87 | 30 | 0.25 |
| FSB - 25-HN 1  | 720          | LPM | 40      | 77 | 73  | 91 | 48 | 0.35 |
| FSB - 25-HN 3  | 720          | LPM | 40      | 77 | 110 | 91 | 48 | 0.40 |
| FSBW - 25-HN 1 | 720          | LPM | 40      | 77 | 73  | 81 | 30 | 0.35 |
| FSBW - 25-HN 3 | 720          | LPM | 40      | 77 | 110 | 55 | 30 | 0.40 |
| PB - 25        | 720          | LPM | 40      | 77 | 50  | -  | -  | 0.21 |

## MODEL CODE : ASSEMBLY

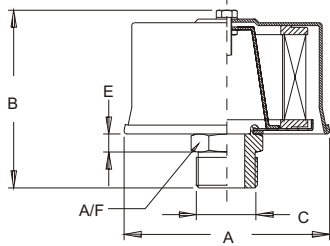
| FSB *  | - 25            | - * *         | - BM                  | - **            | - **                             | - ***                            | - *                              |
|--------|-----------------|---------------|-----------------------|-----------------|----------------------------------|----------------------------------|----------------------------------|
| SERIES | CAPACITY        | FILTRATION    | FEATURE               | STRAINER        | FEATURE 1                        | FEATURE 2                        | FEATURE 3                        |
|        | CFM             | μ MICRONS     | OPTIONAL (1)          | C * OPTIONAL(2) | OPTIONAL #<br>(OMIT IF NOT REQD) | OPTIONAL #<br>(OMIT IF NOT REQD) | OPTIONAL #<br>(OMIT IF NOT REQD) |
| FSB    | 05<br>(150 LPM) | 40 - 40 μ Std | BM - SIDE MOUNT       | STD             |                                  | CONSULT FACTORY                  | B - BLACK POWDER<br>COATED CAP   |
| FSB    | 25<br>(750 LPM) | 10 - 10 μ Nom | BM - SIDE MOUNT       | L 4 - STD       | LT - LOCKING TAB                 | DS 4 - DIP STICK 4"              |                                  |
| FSBW   |                 | 03 - 3 μ Nom  | HN 1 - HIGH NECK 1.5" | L 6 - 152 m m   | P 5 - Pressurised 5psi           | DS 6 - DIP STICK 6"              |                                  |
|        |                 |               | HN 3 - HIGH NECK 3"   | L 8 - 203 m m   | SG - SPLASH GUARD                | DS 8 - DIP STICK 8"              |                                  |

# OPTIONAL / SPECIAL FEATURE (CONSULT FACTORY) - OMIT IF NOT REQUIRED

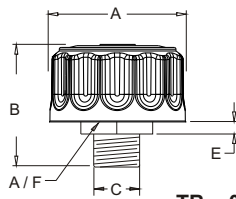
# BREATHER - TB



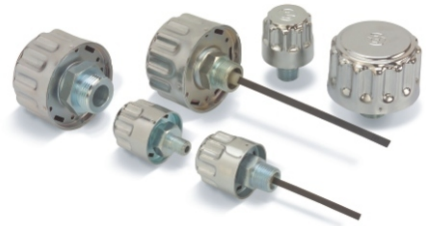
## THREADED TYPE



TB - 35  
TB - 65  
TB - 165



TB - 05  
TB - 25



| MODEL        | DISPLACEMENT |     | RATING<br>MICRON | A   | B   | C<br>STD<br>IN BSPP | E  | A / F | WT<br>KGS |
|--------------|--------------|-----|------------------|-----|-----|---------------------|----|-------|-----------|
| TB . 05 .    | 150          | LPM | 40               |     |     |                     |    |       |           |
|              |              |     |                  | 45  | 66  | 1/4"                | 8  | 25    | 0.13      |
| TB . 05 . 10 | 90           | LPM | 10               |     |     |                     |    |       |           |
| TB . 25 .    | 720          | LPM | 40               |     |     |                     |    |       |           |
|              |              |     |                  | 77  | 66  | 3/4"                | 10 | 30    | 0.25      |
| TB . 25 . 10 | 400          | LPM | 10               |     |     |                     |    |       |           |
| TB . 35 .    | 1000         | LPM | 10               | 110 | 138 | 1 - 1/2"            | 12 | 55    | 0.40      |
| TB . 65 .    | 2000         | LPM | 10               | 145 | 145 | 2"                  | 15 | 65    | 0.55      |
| TB . 165 .   | 4000         | LPM | 10               | 185 | 195 | 2 - 1/2"            | 15 | 80    | 1.30      |

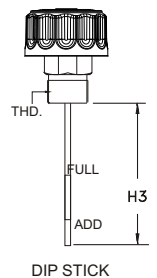
Note : TB 35 / 65 / 165 Nylon Housing

### MODEL CODE : ASSEMBLY

| TB     | - 05                   | - 10                              | - * * *                | - P                          | - *                              |                        |                     |
|--------|------------------------|-----------------------------------|------------------------|------------------------------|----------------------------------|------------------------|---------------------|
| SERIES | CAPACITY               | FILTRATION                        | THREADS                | FEATURE                      | FEATURE 3                        |                        |                     |
|        | CFM                    | μ MICRONS                         | OPTIONAL #             | SPECIAL #                    | OPTIONAL #<br>(OMIT IF NOT REQD) |                        |                     |
| TB     | 05                     | 40 - 40 μ Std                     | 02* - 1/4" * B / N     | P - PRESSURISED<br>(5 P S I) | B - BLACK POWDER<br>COATED CAP   |                        |                     |
|        |                        |                                   | 04S - 7/16" - 20 UNF   |                              |                                  |                        |                     |
|        |                        |                                   | 03* - 3/8" * B / N     |                              |                                  | SG - SPLASH GUARD      |                     |
|        |                        |                                   | 06S - 9/16" - 18 UNF   |                              |                                  |                        |                     |
|        |                        |                                   | 04* - 1/2" * B / N     |                              |                                  |                        | DS 4 - DIP STICK 4" |
|        |                        |                                   | 08S - 3/4" - 16 UNF    |                              |                                  |                        |                     |
|        | 04* - 1/2" * B / N     | DS 6 - DIP STICK 6"<br>(Ref - H3) |                        |                              |                                  |                        |                     |
|        | 08S - 3/4" - 16 UNF    |                                   |                        |                              |                                  |                        |                     |
|        | 06* - 3/4" * B / N     |                                   | DS 8 - DIP STICK 8"    |                              |                                  |                        |                     |
|        | 12S - 1-1/16" - 12 UNF |                                   |                        |                              |                                  |                        |                     |
|        | 08* - 1" * B / N       |                                   |                        |                              |                                  |                        |                     |
|        | 16S - 1-5/16" - 12 UNF |                                   |                        |                              |                                  |                        |                     |
|        | 35                     | 10 - 10 μ Nom                     |                        | 10 - 10 μ Nom                |                                  | 10* - 1 - 1/4" * B / N |                     |
|        |                        |                                   |                        |                              |                                  | 20S - 1-5/8" - 12 UNF  |                     |
|        |                        |                                   | 12* - 1 - 1/2" * B / N |                              |                                  |                        |                     |
|        |                        |                                   | 24S - 1-7/8" - 12 UNF  |                              |                                  |                        |                     |
|        | 65                     | 10 - 10 μ Nom                     | 10 - 10 μ Nom          | 16* - 2" * B / N             |                                  |                        |                     |
|        |                        |                                   |                        | 32S - 3" - 12 UNF            |                                  |                        |                     |
|        | 165                    | 10 - 10 μ Nom                     | 10 - 10 μ Nom          | 20* - 2-1/2" * B / N         |                                  |                        |                     |
|        |                        |                                   |                        | 40S - 3-1/2" - 12 UNF        |                                  |                        |                     |

**P - FEATURE**

- BUILT IN VALVE ASSEMBLY HELPS TO MAINTAIN PRESET PRESSURE (5 P S I) IN THE TANK.
- ALLOWS FREE FLOW OF AIR INTO THE TANK IF PRESSURE FALLS BELOW ATMOSPHERIC.
- IF PRESSURE INSIDE TANK INCREASES VALVE RELEASES AT PRESET PRESSURE (5 P S I)
- DISPLACED AIR IS FILTERED & CLEAN



# OPTIONAL / SPECIAL FEATURE (CONSULT FACTORY) - OMIT IF NOT REQUIRED