

GROUP 2P – P3000 SERIES

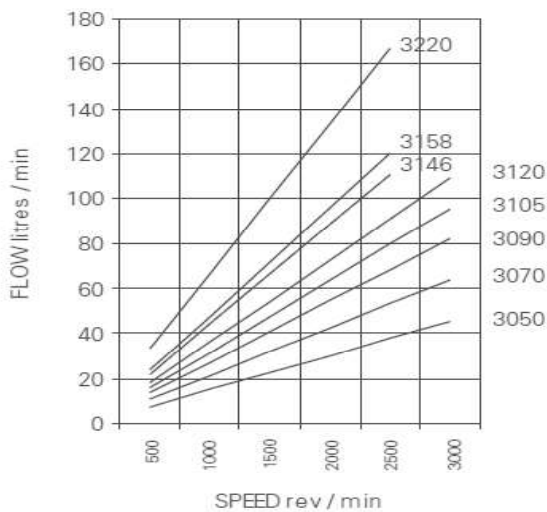
PERFORMANCE DATA

Pressures quoted are relief valve maximum by-pass
 Performance with SAE 20W oil at 50°C

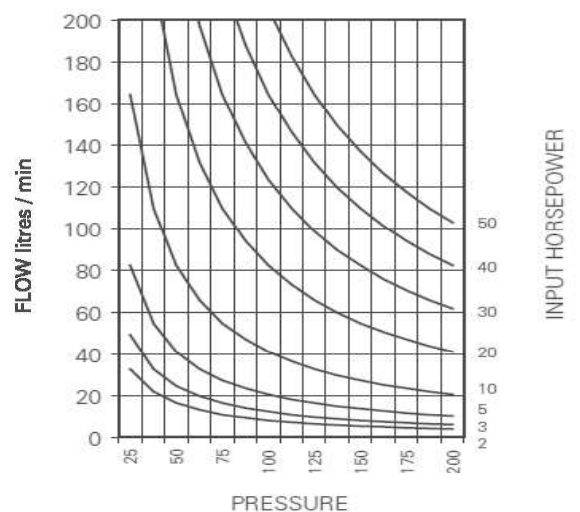
PUMP TYPE	DISPLACEMENT cc/rev	DELIVERY @1500 RPM & PRESSURE P		MAXIMUM CONTINUOUS PRESSURE P		SPEED AT MAXIMUM CONTINUOUS PRESSURE P	
		MIN (lpm)	MAX (lpm)	psi	bar	MAX	MIN
3050	16.67	21.8	25	3000	207	3000	700
3070	22.73	30.7	34	3000	207	3000	700
3090	28.79	39.4	43.2	3000	207	3000	700
3105	33.34	45.8	50	3000	207	3000	700
3120	37.88	52.3	56.8	3000	207	3000	700
3146	45.46	63.8	68.2	2525	174	2500	700
3158	49.40	68.9	74.1	2525	174	2500	700
3220	68.8	96	103.2	2000	138	2500	700

TYPICAL PERFORMANCE

TYPICAL PUMP DELIVERY
 Flow at Max. Pressure

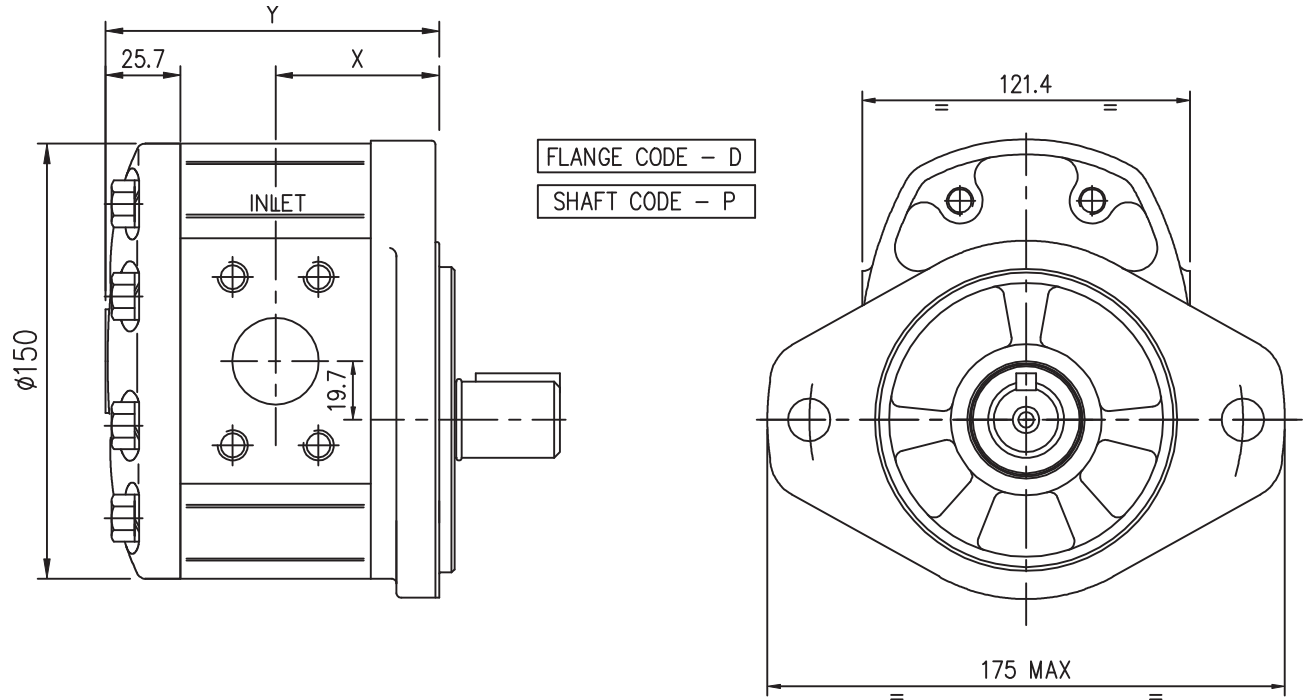


TYPICAL INPUT HORSEPOWER
 Fluid SAE 20W
 Fluid Temperature 50°C



2P - PUMP SERIES

INSTALLATION DIMENSIONS



PUMP TYPE	DIMENSIONS	
	X	Y
2P-3050	54.3	112.7
2P-3070	56.7	117.5
2P-3090	59.1	122.3
2P-3105	67.9	139.8
2P-3120	69.7	143.5
2P-3146	72.7	149.6
2P-3158	74.3	152.7
2P-3220	81.7	167.5

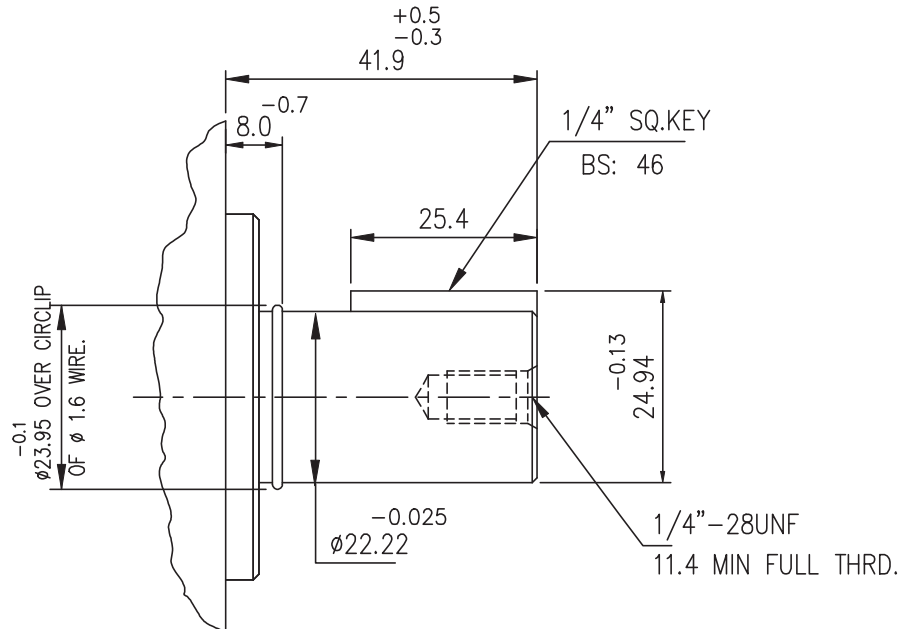
NOTE:

- The representation for the pump assembly drawing is for anti-clockwise direction of shaft rotation as viewed from pump drive shaft end. For clockwise rotation of pump shaft, the position of inlet & outlet ports will interchange.
- Unless otherwise specified, the dimension 'X' is identical for both inlet & outlet port positions

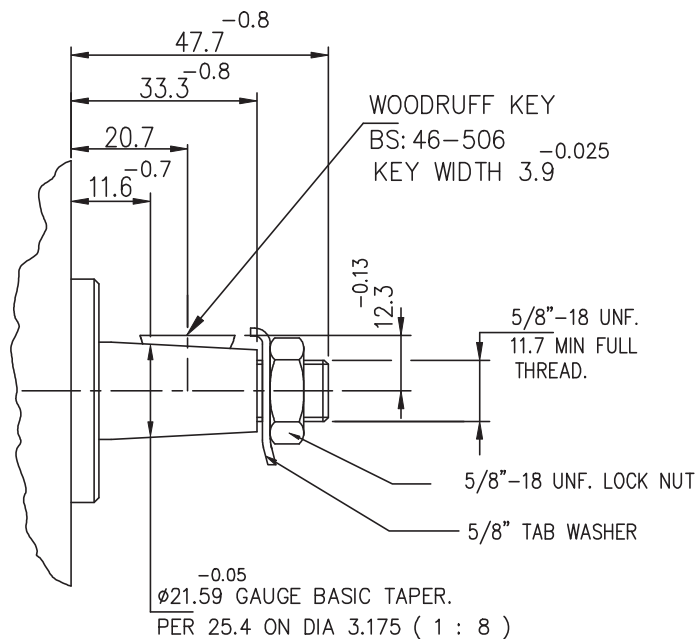
ALL DIMENSIONS ARE IN mm UNLESS OTHERWISE SPECIFIED

2P - PUMP SERIES

DRIVE SHAFT CODE - P FLANGE CODE: D & S



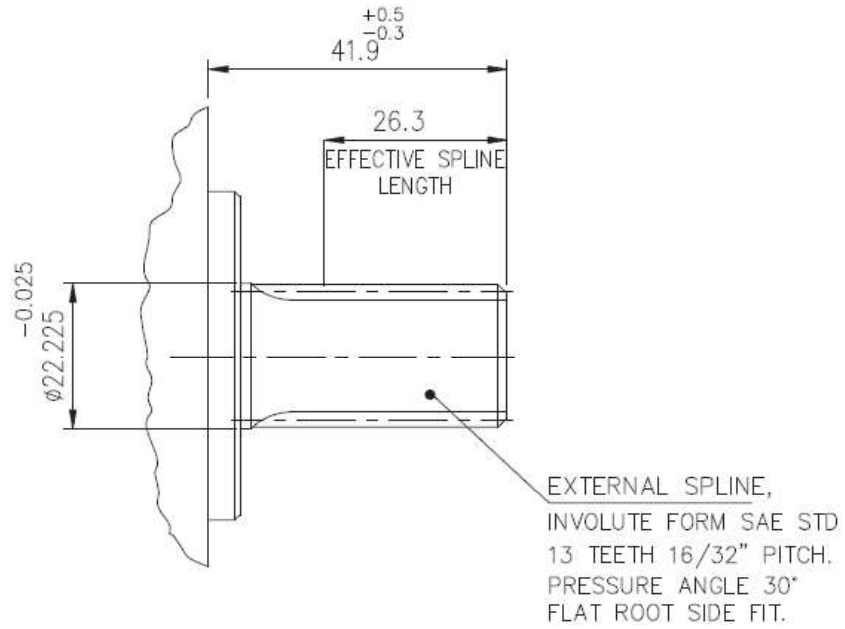
DRIVE SHAFT CODE - T FLANGE CODE: D & S



ALL DIMENSIONS ARE IN mm UNLESS OTHERWISE SPECIFIED

2P - PUMP SERIES

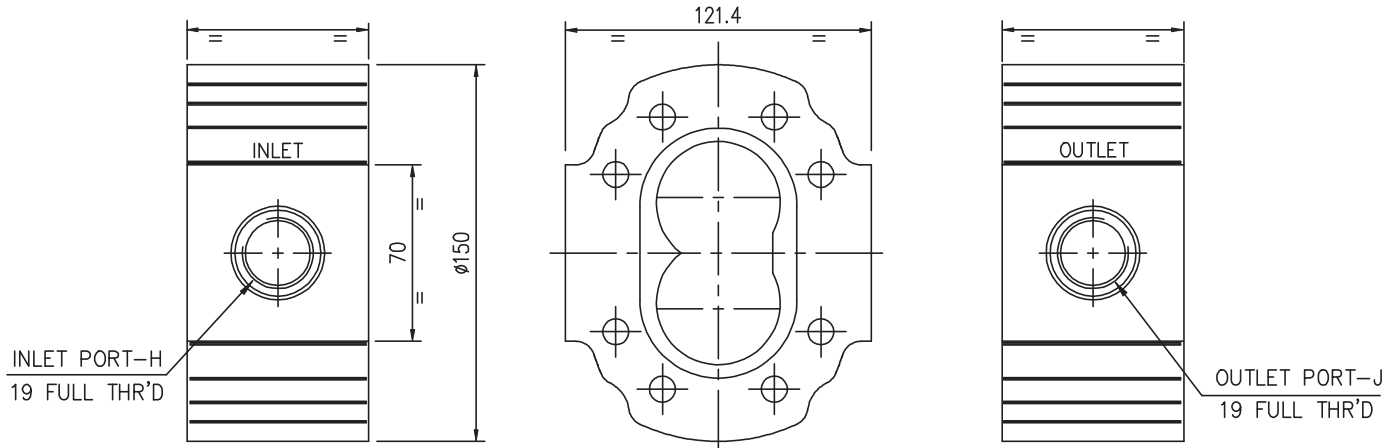
DRIVE SHAFT CODE - S FLANGE CODE: D & S



ALL DIMENSIONS ARE IN mm UNLESS OTHERWISE SPECIFIED

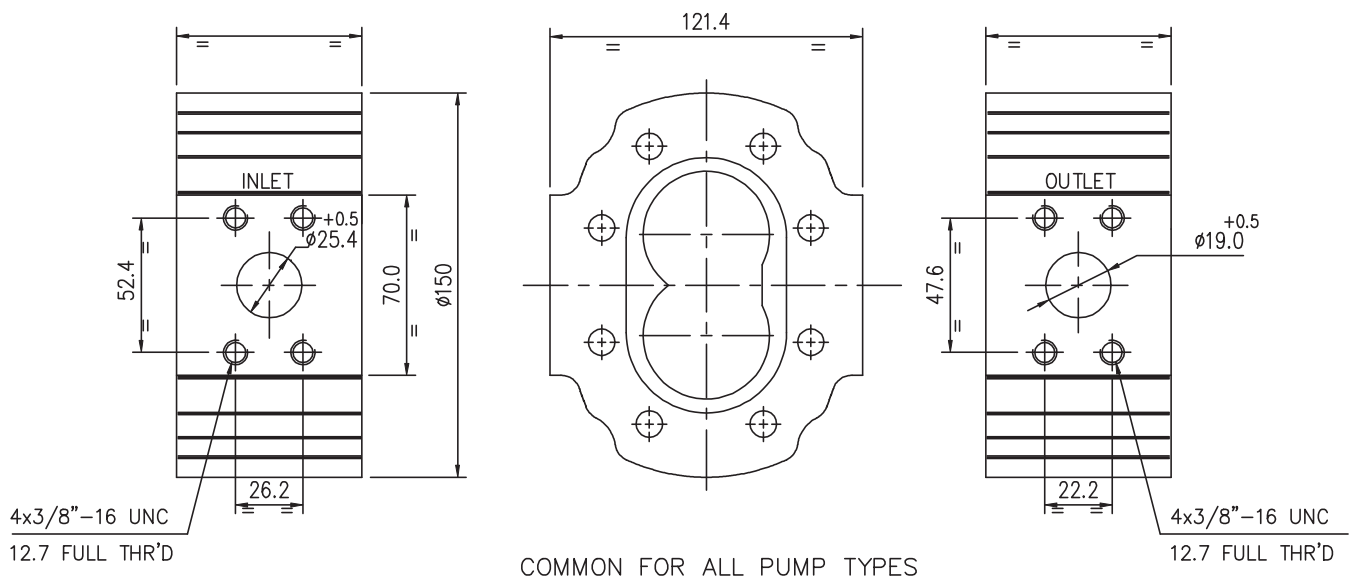
2P - PUMP SERIES

BODY PORT CODE - J SAE O-RING THREADED PORTS (SAE:J1926/1)



PUMP TYPE	INLET PORT-H	OUTLET PORT-J
2P 3050	1-5/16" 12UN	1-1/16" 12UN
2P 3070	1-5/16" 12UN	1-1/16" 12UN
2P 3090	1-5/8" 12UN	1-5/16" 12UN
2P 3105	1-5/8" 12UN	1-5/16" 12UN
2P 3120	1-5/8" 12UN	1-5/16" 12UN
2P 3146	1-5/8" 12UN	1-5/16" 12UN
2P 3158	1-5/8" 12UN	1-5/16" 12UN
2P 3220	1-5/8" 12UN	1-5/16" 12UN

BODY PORT CODE - S

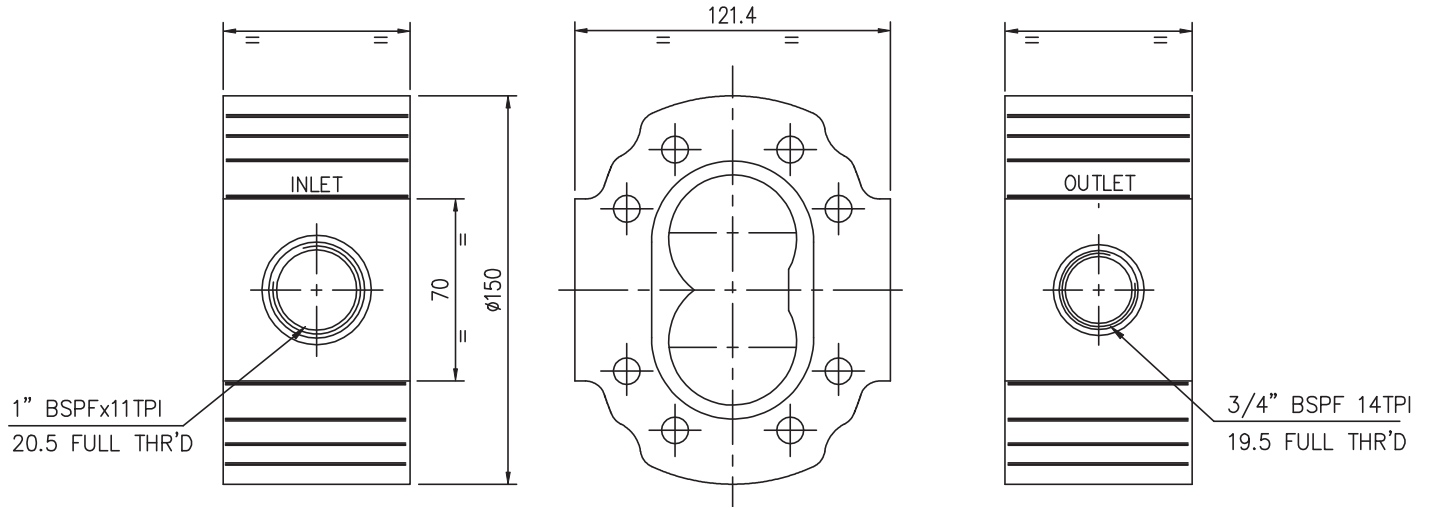


ALL DIMENSIONS ARE IN mm UNLESS OTHERWISE SPECIFIED

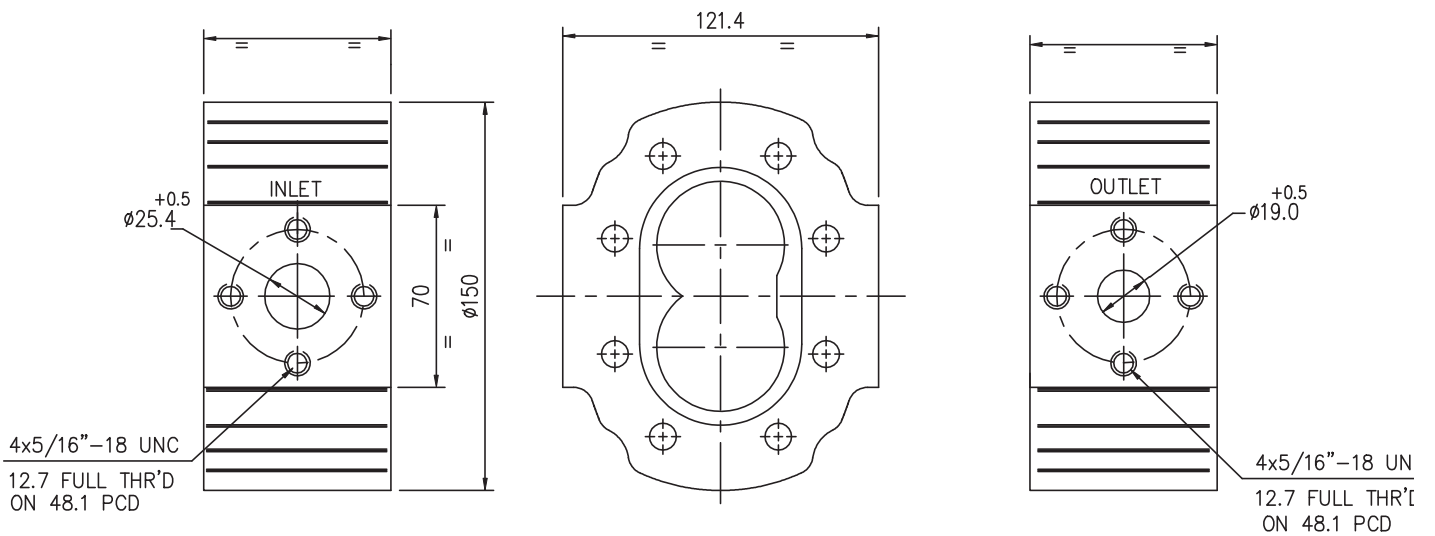
CONSULT MARKETING FOR MORE FITMENT OPTIONS

2P - PUMP SERIES

BODY PORT CODE - T



BODY PORT CODE - F

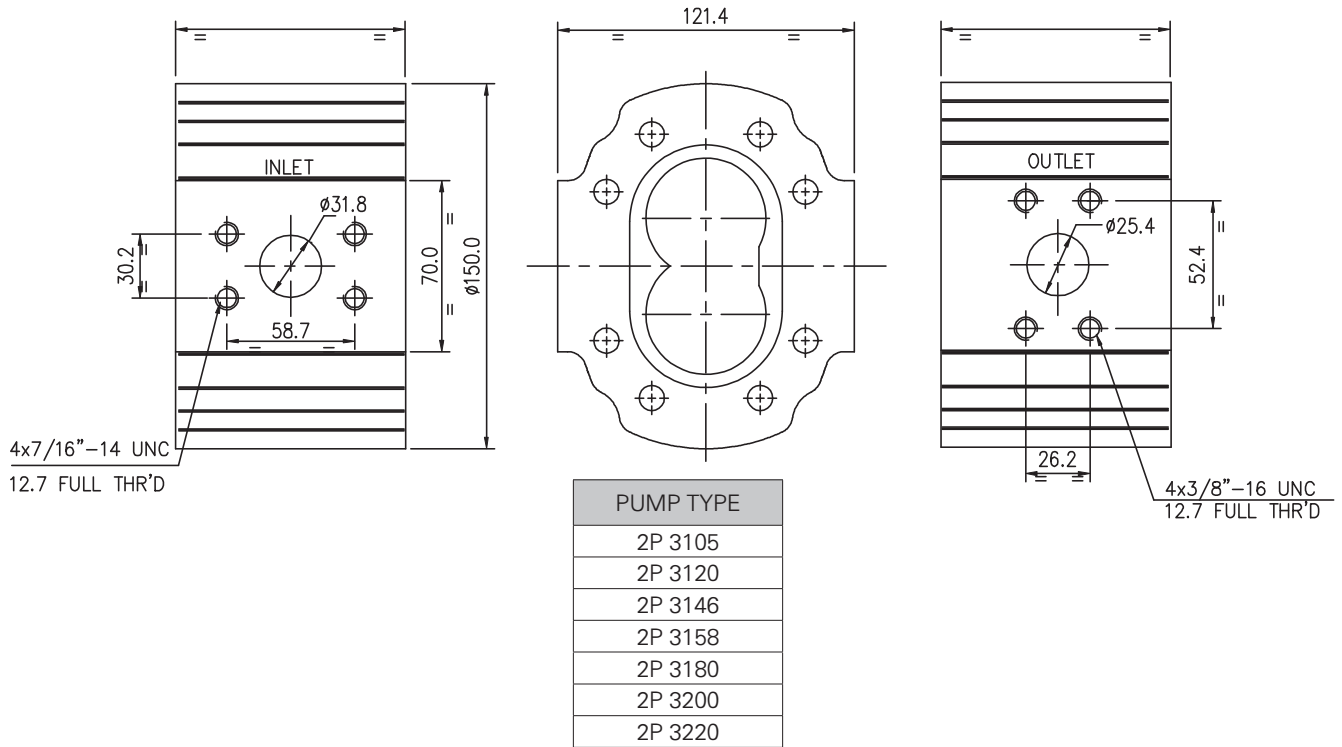


ALL DIMENSIONS ARE IN mm UNLESS OTHERWISE SPECIFIED

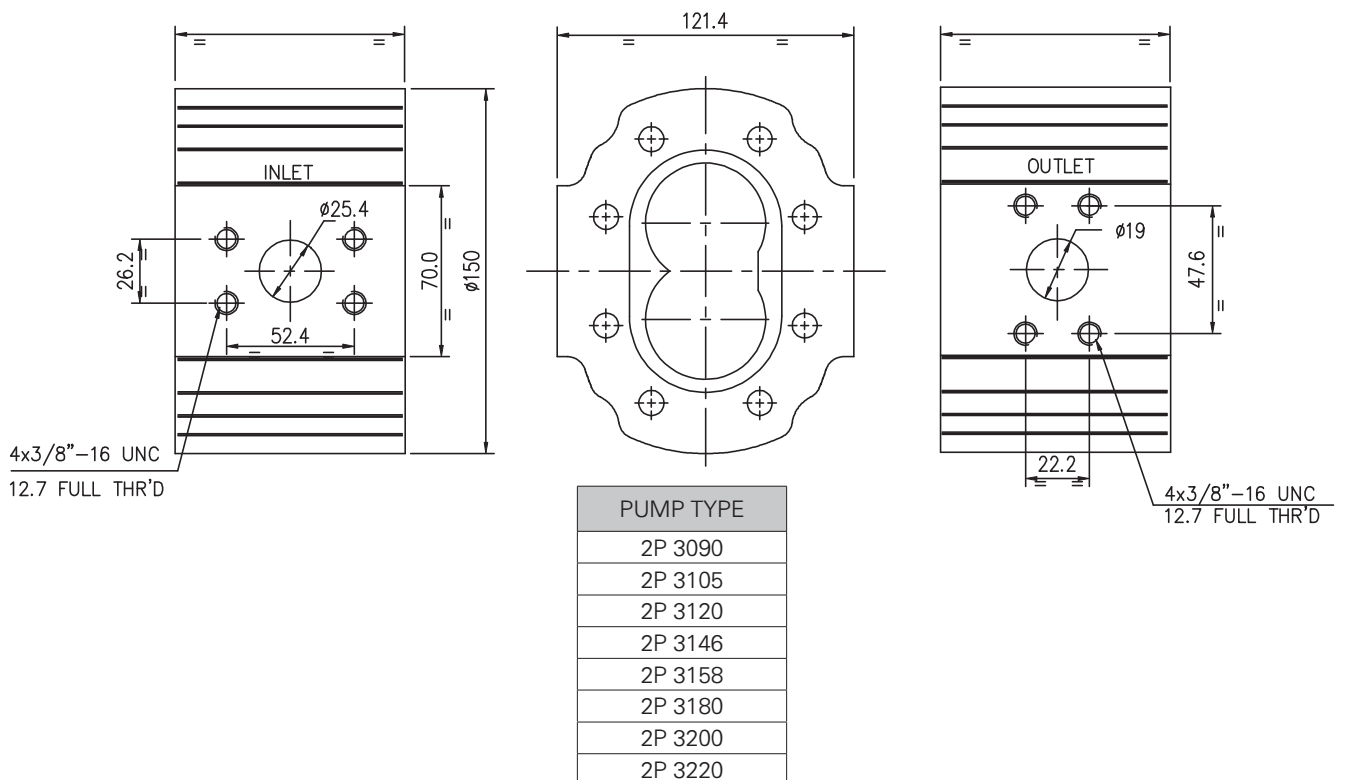
CONSULT MARKETING FOR MORE FITMENT OPTIONS

2P - PUMP SERIES

BODY PORT CODE - V



BODY PORT CODE - Z

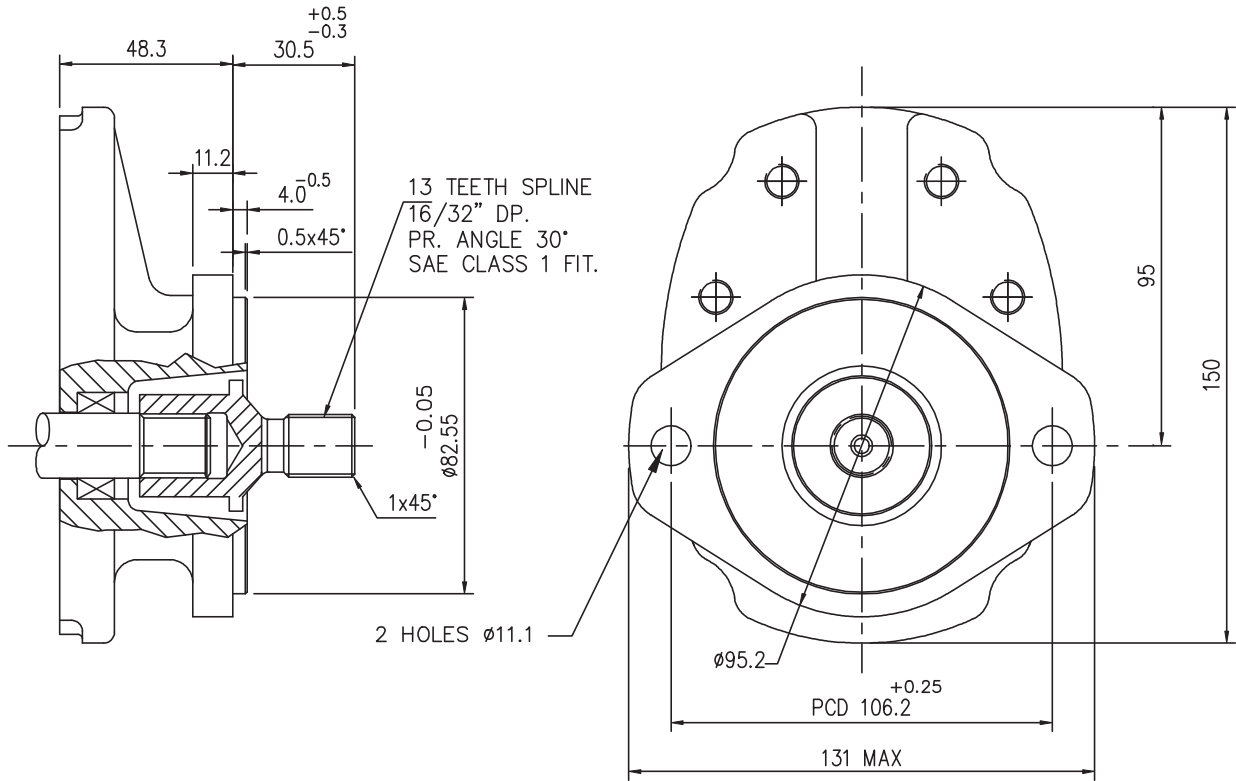


ALL DIMENSIONS ARE IN mm UNLESS OTHERWISE SPECIFIED

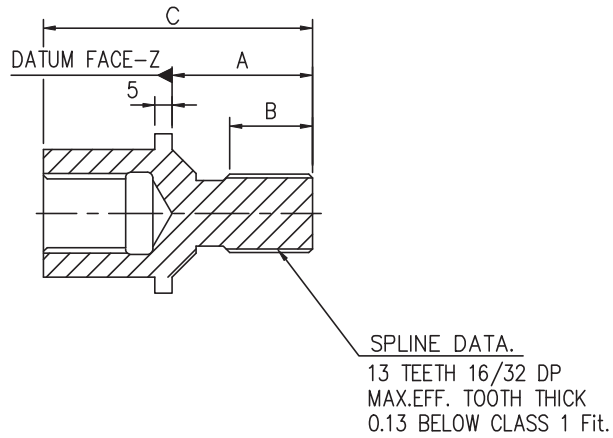
CONSULT MARKETING FOR MORE FITMENT OPTIONS

2P - PUMP SERIES

MOUNTING FLANGE CODE - X DRIVE SHAFT CODE -Q, QUILL ADAPTER ASSEMBLY (K2)



DRIVE SHAFT CODE - Q, (QUILL ADAPTER)



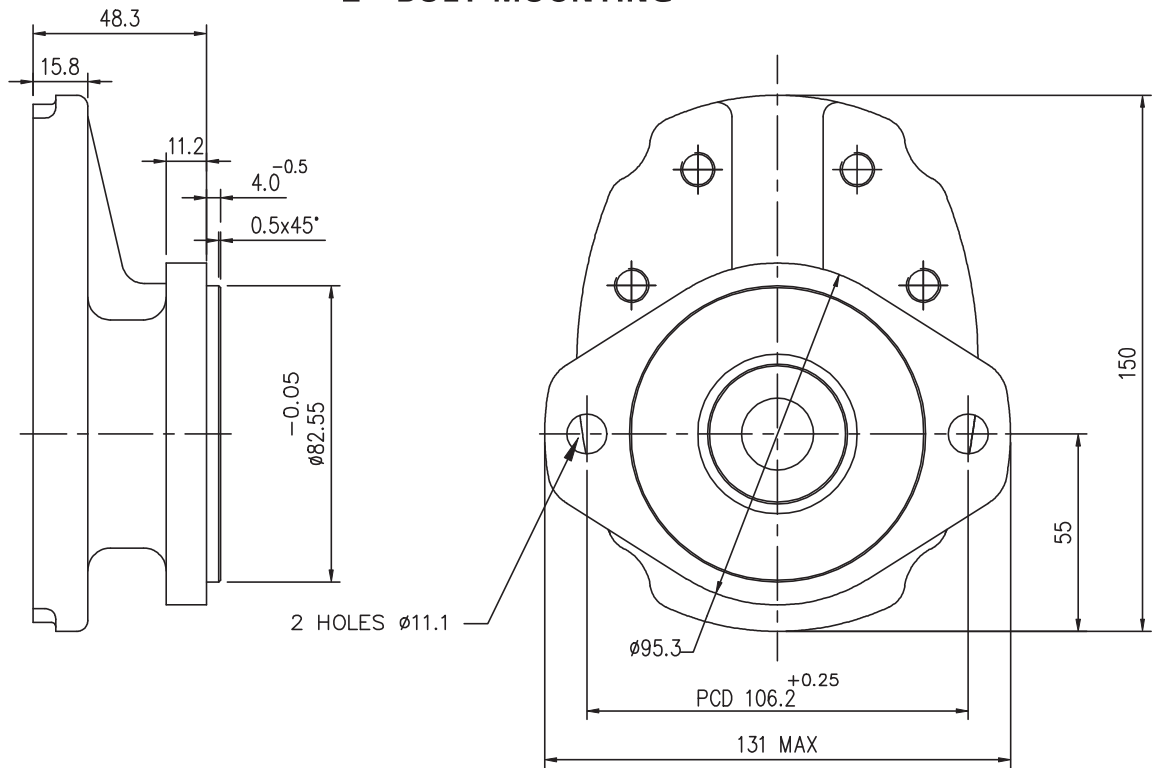
QUILL CODE	MAX. STANDOUT	SPLINE LENGTH	TOTAL LENGTH
	A	B	C
K2	26.7	12.2	52
K3	41.5	25.4	67

ALL DIMENSIONS ARE IN mm UNLESS OTHERWISE SPECIFIED

2P - PUMP SERIES

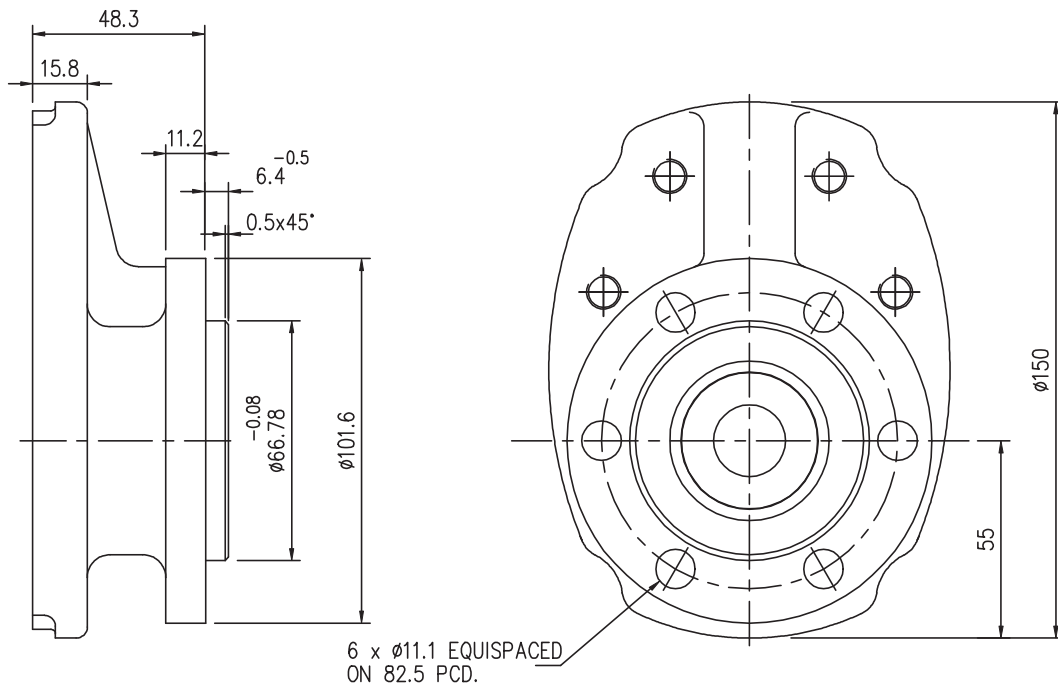
MOUNTING FLANGE CODE - X

2 - BOLT MOUNTING



MOUNTING FLANGE CODE - H

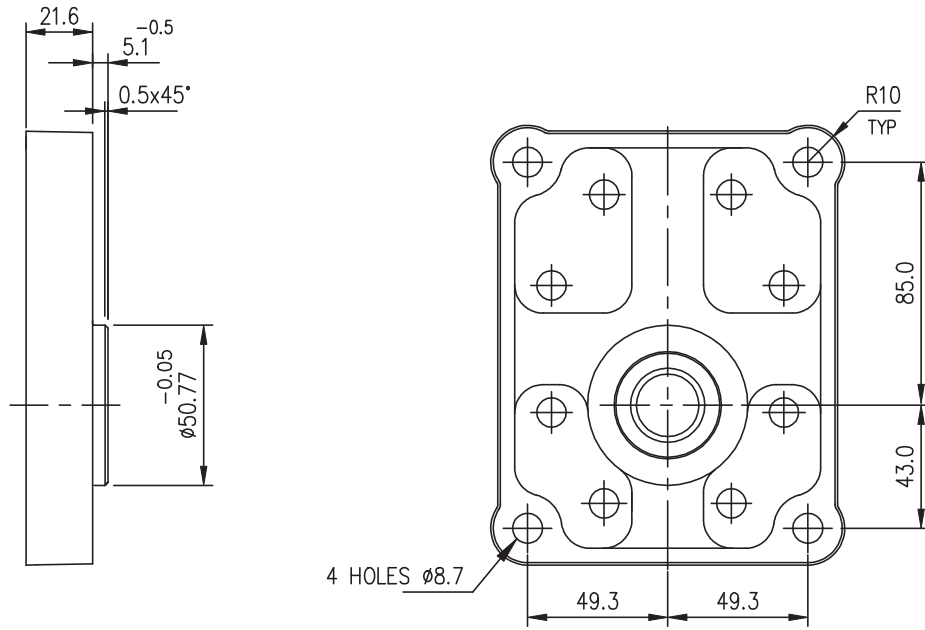
6 - BOLT MOUNTING



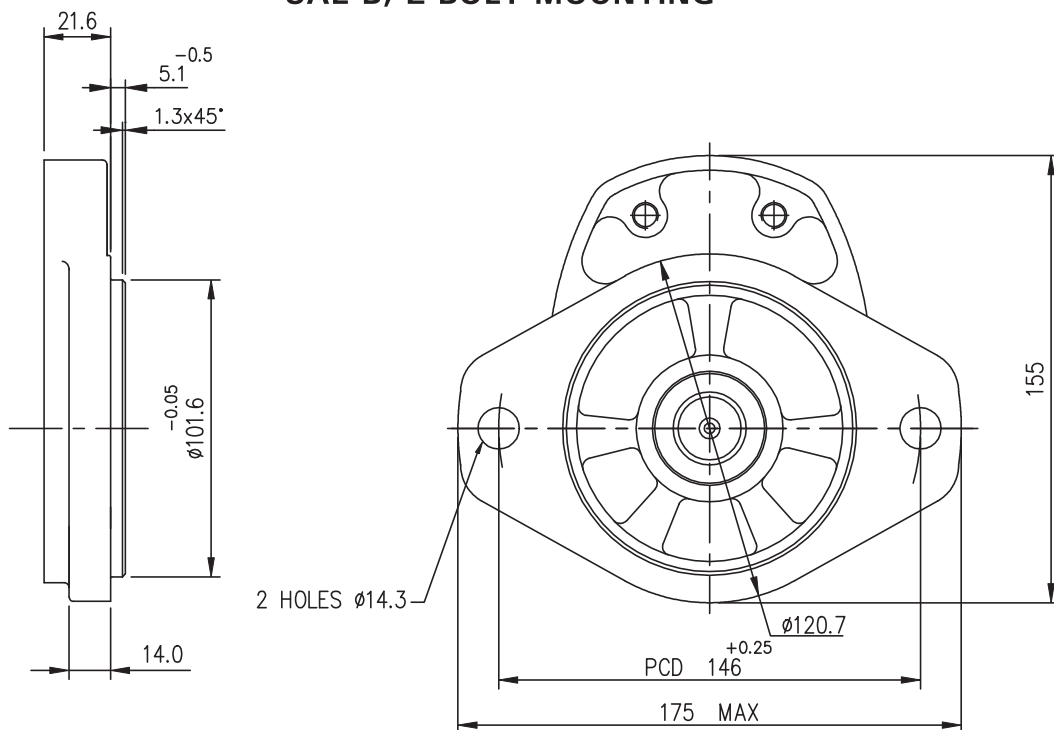
ALL DIMENSIONS ARE IN mm UNLESS OTHERWISE SPECIFIED

2P - PUMP SERIES

MOUNTING FLANGE CODE - D 4 - BOLT MOUNTING



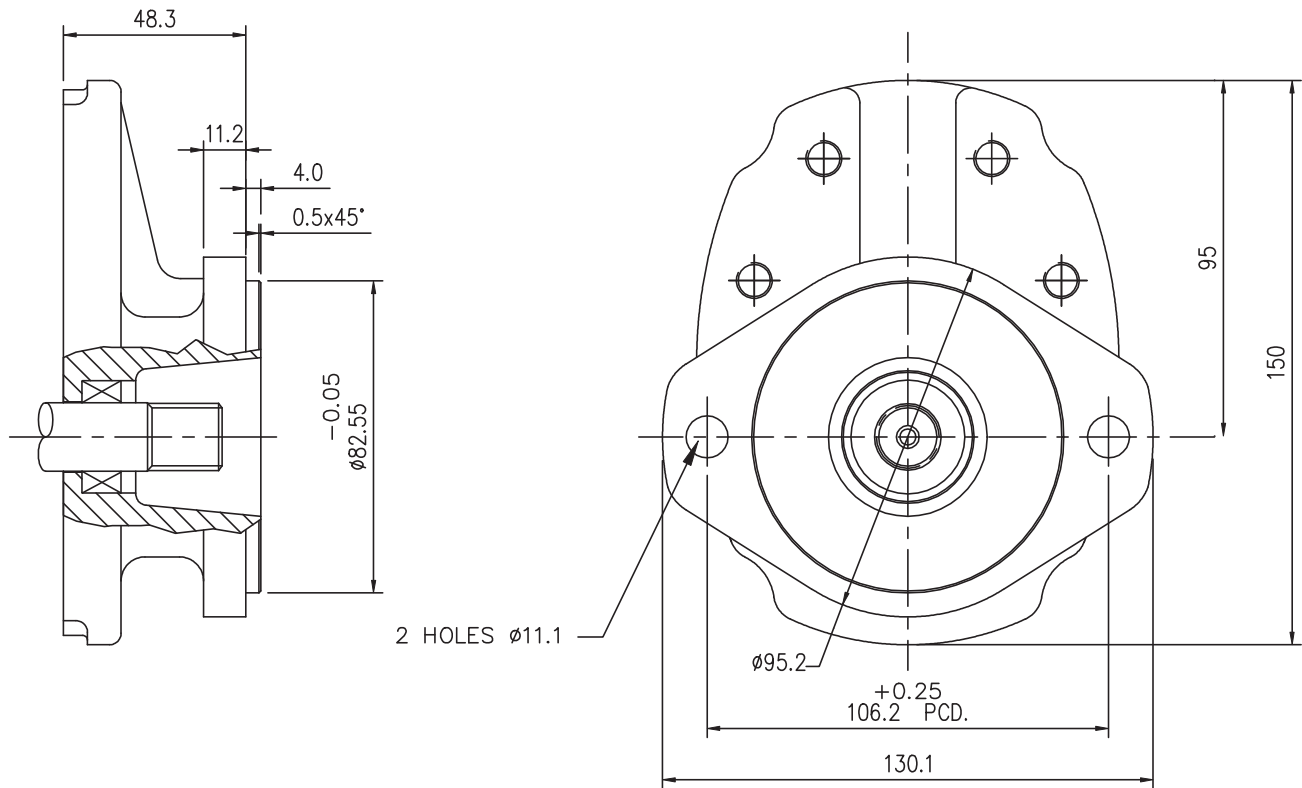
MOUNTING FLANGE CODE - S SAE-B, 2-BOLT MOUNTING



ALL DIMENSIONS ARE IN mm UNLESS OTHERWISE SPECIFIED

2P - PUMP SERIES

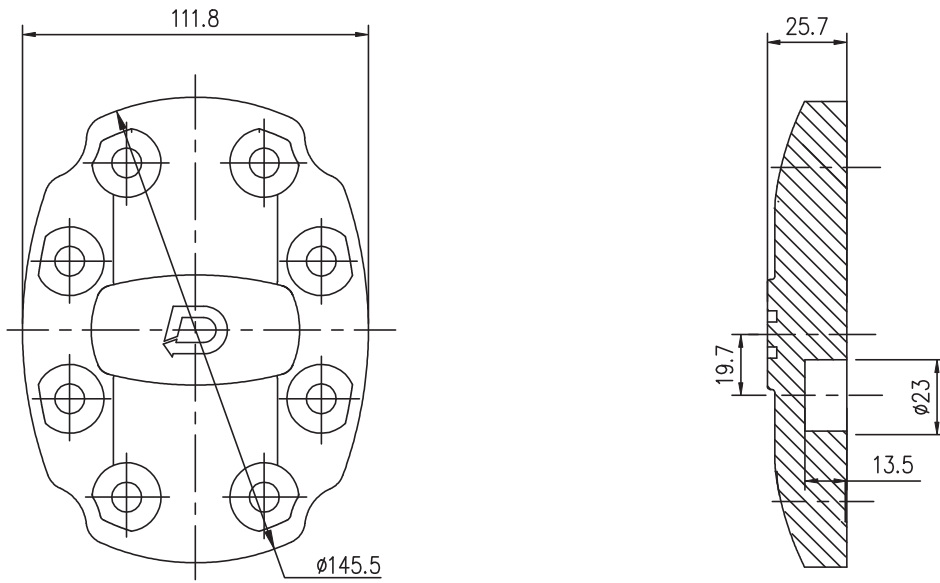
FLANGE CODE - X DRIVE SHAFT CODE -Q, QUILL ADAPTER ASSEMBLY (K2)



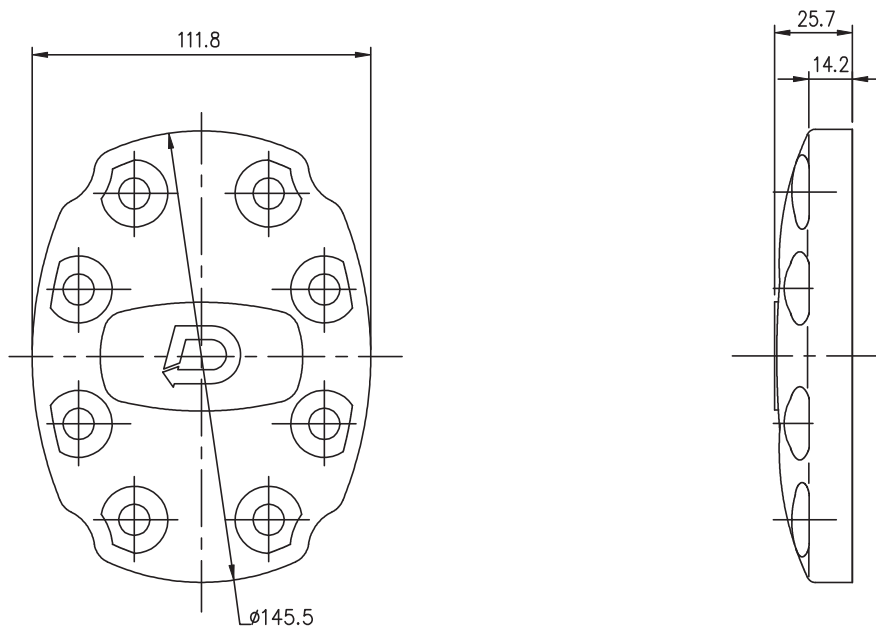
ALL DIMENSIONS ARE IN mm UNLESS OTHERWISE SPECIFIED

2P - PUMP SERIES

MOUNTING COVER CODE - A



MOUNTING COVER CODE - B



ALL DIMENSIONS ARE IN mm UNLESS OTHERWISE SPECIFIED