

# GROUP 1P – P3000 SERIES

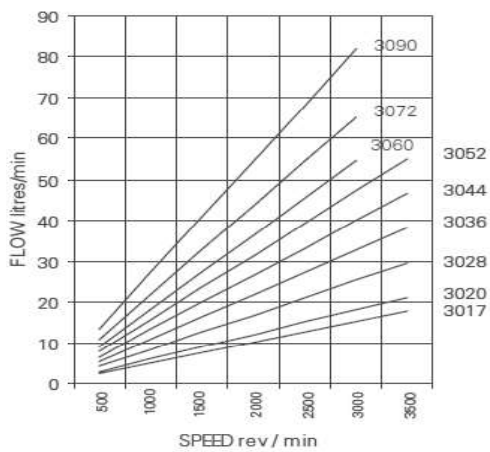
## PERFORMANCE DATA

Pressures quoted are relief valve maximum by-pass  
Performance with SAE 20W oil at 50°C

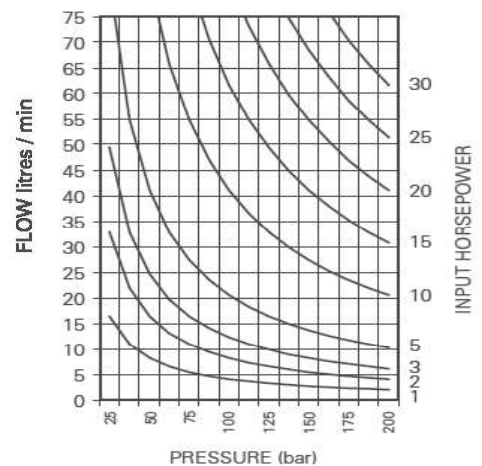
PUMP TYPE	DISPLACEMENT	DELIVERY @1500 RPM & PRESSURE P		MAXIMUM CONTINUOUS PRESSURE P		SPEED AT MAXIMUM CONTINUOUS PRESSURE P	
	cc/rev	MIN lpm	MAX lpm	psi	bar	MAX	MIN
3017	6.1	7.8	9.2	3000	207	3500	700
3020	7	8.9	10.5	3000	207	3500	700
3028	9.4	12.2	14.2	3000	207	3500	700
3036	11.9	15.7	17.85	3000	207	3500	700
3044	14.3	18.9	21.5	3000	207	3500	700
3052	16.8	22.9	25.2	3000	207	3500	700
3060	19.2	26.5	28.8	3000	207	3500	700
3072	22.8	31.5	34.3	2525	174	3000	700
3090	28.1	38.8	42.2	2000	138	2400	700

## TYPICAL PERFORMANCE

TYPICAL PUMP DELIVERY  
Flow at Max. Pressure

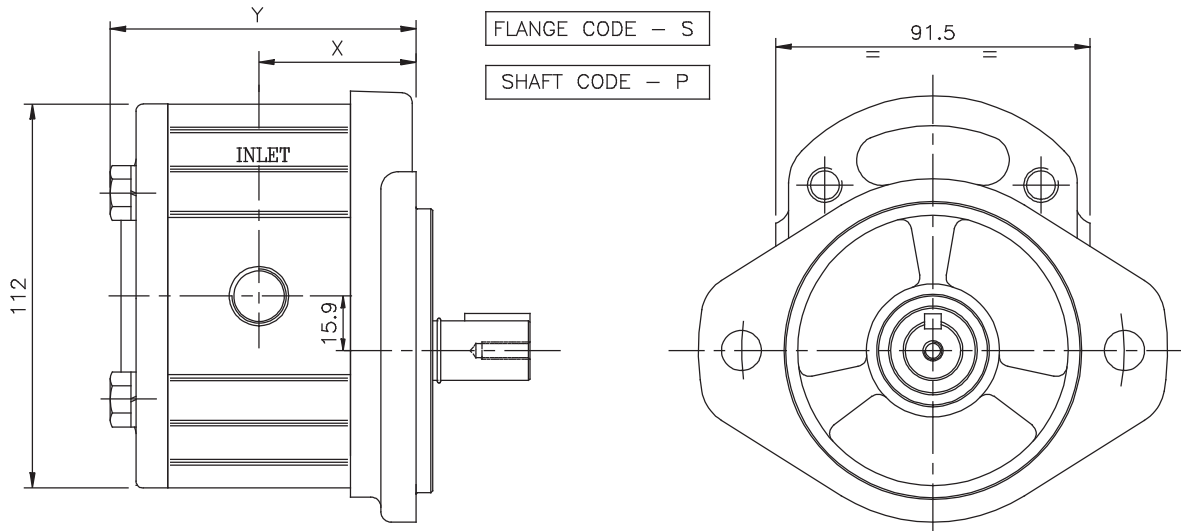


TYPICAL INPUT HORSEPOWER  
Fluid SAE 20W  
Fluid Temperature 50°C



# 1P - P3000 PUMP SERIES

## INSTALLATION DIMENSIONS 1P 3000 SERIES



PUMP TYPE	DIMENSIONS	
	X	Y
1P-3017	41.8	82.4
1P-3020	42.6	83.9
1P-3028	44.1	87.0
1P-3036	45.6	90.1
1P-3044	54.6	108.1
1P-3052	56.2	111.2
1P-3060	57.7	114.3
1P-3072	60.0	118.9
1P-3090	63.3	125.5

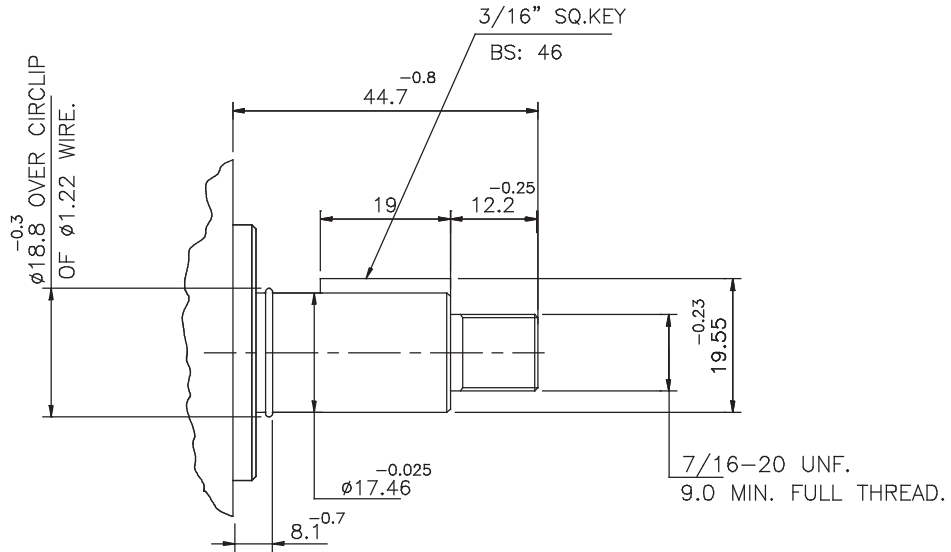
**NOTE:**

- The representation for the pump assembly drawing is for anti-clockwise direction of shaft rotation as viewed from pump drive shaft end. For clockwise rotation of pump shaft, the position of inlet & outlet ports will interchange.
- Unless otherwise specified, the dimension 'X' is identical for both inlet & outlet port positions

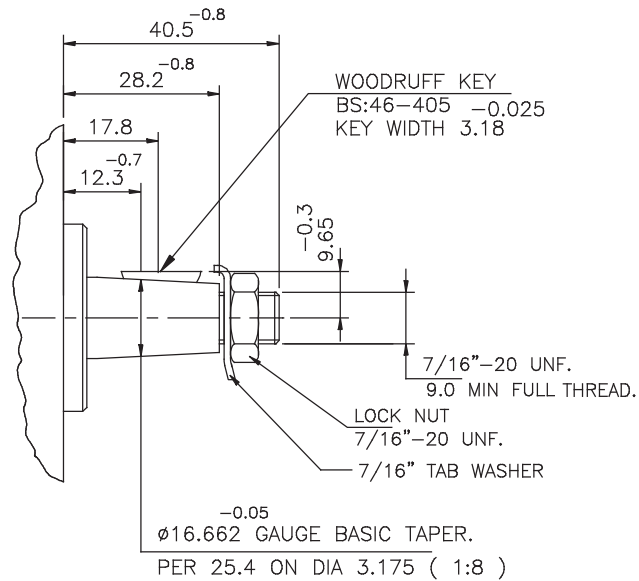
ALL DIMENSIONS ARE IN mm UNLESS OTHERWISE SPECIFIED

# 1P - P3000 PUMP SERIES

## DRIVE SHAFT CODE - U FLANGE CODE - D & S



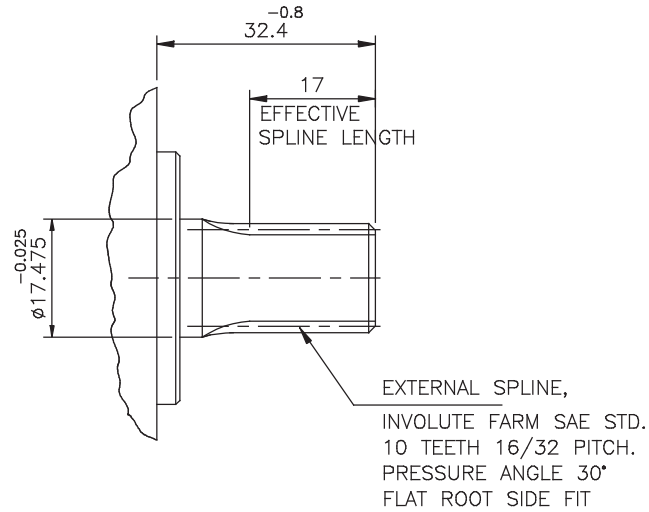
## DRIVE SHAFT CODE - T FLANGE CODE - D & S



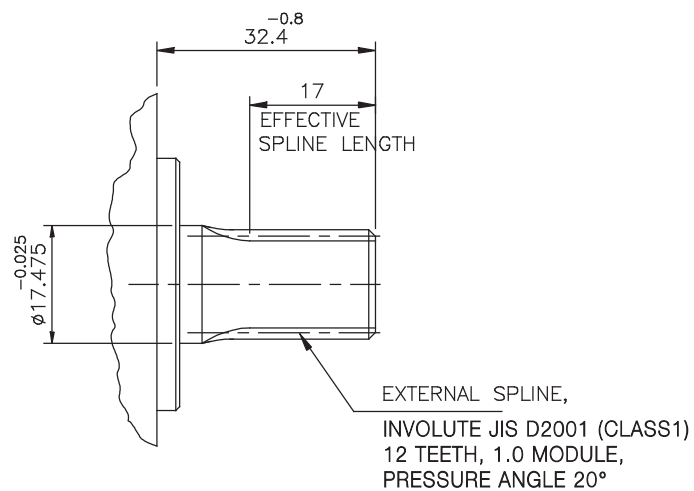
ALL DIMENSIONS ARE IN mm UNLESS OTHERWISE SPECIFIED

# 1P - P3000 PUMP SERIES

## DRIVE SHAFT CODE - H FLANGE CODE - D & S



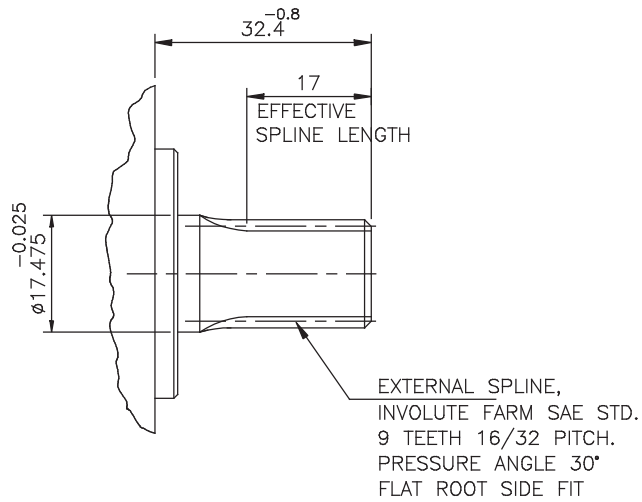
## DRIVE SHAFT CODE - J FLANGE CODE - D & S



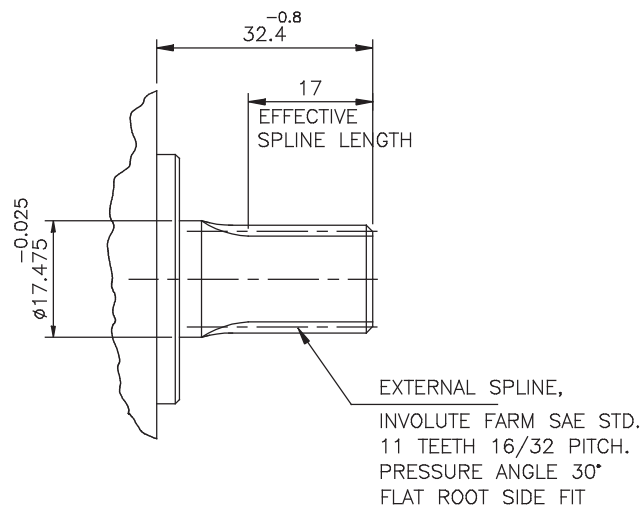
ALL DIMENSIONS ARE IN mm UNLESS OTHERWISE SPECIFIED

# 1P - P3000 PUMP SERIES

## DRIVE SHAFT CODE - S FLANGE CODE - D & S



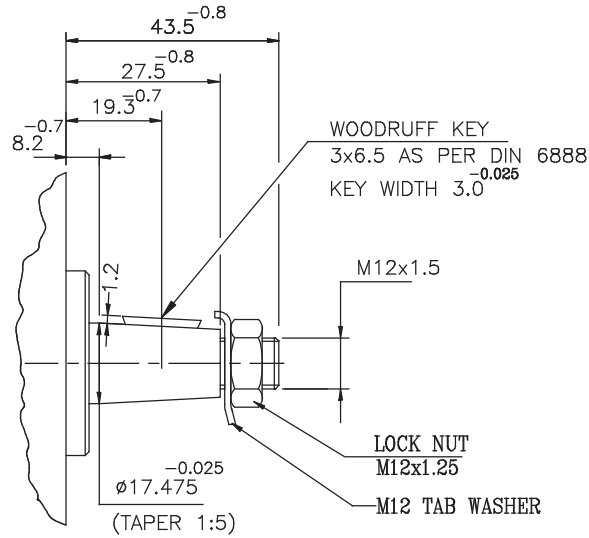
## DRIVE SHAFT CODE - G FLANGE CODE - D & S



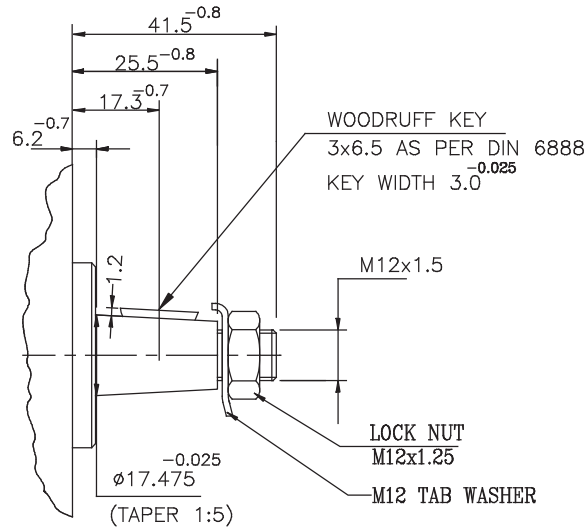
ALL DIMENSIONS ARE IN mm UNLESS OTHERWISE SPECIFIED

# 1P - P3000 PUMP SERIES

## DRIVE SHAFT CODE - K FLANGE CODE - K



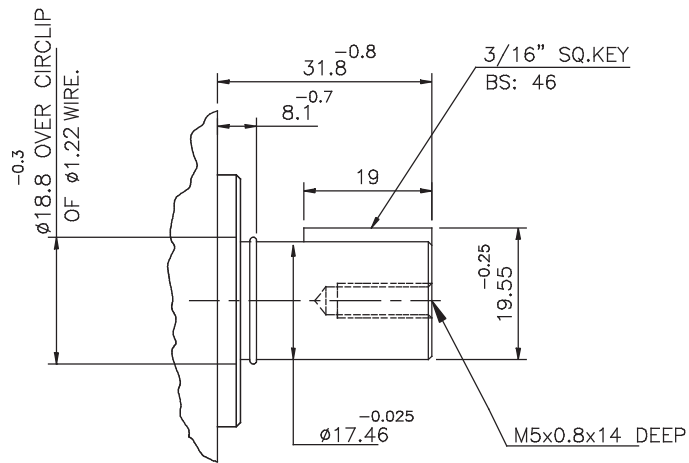
## DRIVE SHAFT CODE - K FLANGE CODE - D & S



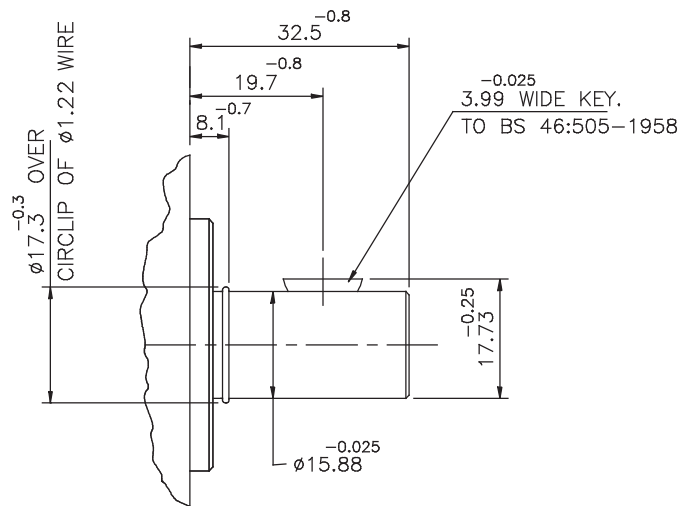
ALL DIMENSIONS ARE IN mm UNLESS OTHERWISE SPECIFIED

# 1P - P3000 PUMP SERIES

## DRIVE SHAFT CODE - P FLANGE CODE - D & S



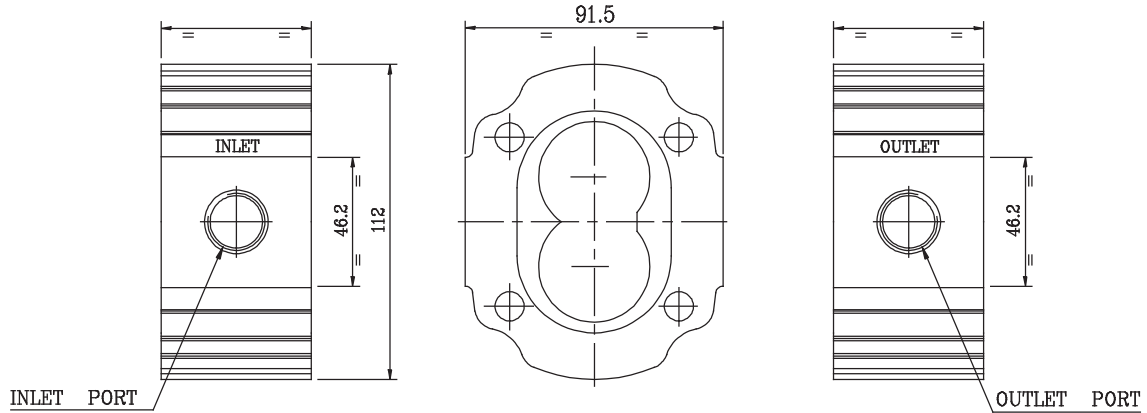
## DRIVE SHAFT CODE - L FLANGE CODE - D & S



ALL DIMENSIONS ARE IN mm UNLESS OTHERWISE SPECIFIED

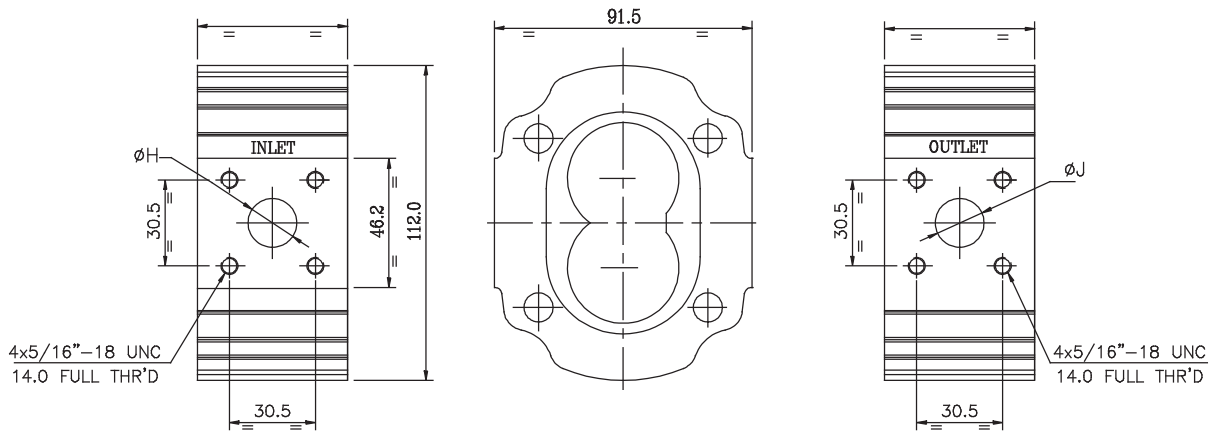
# 1P - P3000 PUMP SERIES

## BODY PORT CODE - T



PUMP TYPE	INLET PORT	THREAD DEPTH	OUTLET PORT	THREAD DEPTH
1P 3017	1/2" BSPF	14.0	1/2" BSPF	14.0
1P 3020	1/2" BSPF	14.0	1/2" BSPF	14.0
1P 3028	1/2" BSPF	14.0	1/2" BSPF	14.0
1P 3036	3/4" BSPF	17.8	1/2" BSPF	14.0
1P 3044	3/4" BSPF	17.8	3/4" BSPF	17.8
1P 3052	3/4" BSPF	17.8	3/4" BSPF	17.8
1P 3060	3/4" BSPF	17.8	3/4" BSPF	17.8
1P 3072	3/4" BSPF	17.8	3/4" BSPF	17.8
1P 3090	3/4" BSPF	17.8	3/4" BSPF	17.8

## BODY PORT CODE - F



PUMP TYPE	INLET PORT $^{+0.5}_{\text{ØH}}$	OUTLET PORT $^{+0.5}_{\text{ØJ}}$
IP 3017	17.3	17.3
IP 3020	17.3	17.3
IP 3028	17.3	17.3
IP 3036	17.3	17.3
1P 3044	20.3	20.3
IP 3052	20.3	20.3
IP 3060	20.3	20.3
IP 3072	20.3	20.3
IP 3090	20.3	20.3

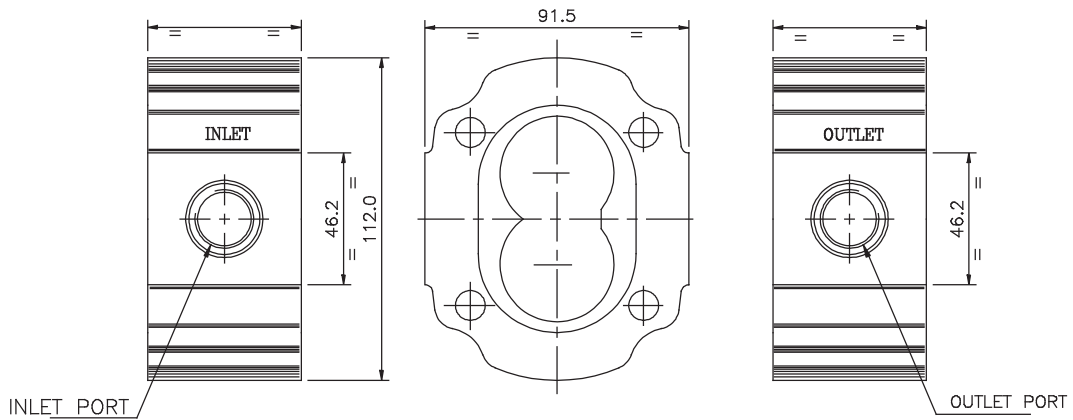
ALL DIMENSIONS ARE IN mm UNLESS OTHERWISE SPECIFIED

CONSULT MARKETING FOR MORE FITMENT OPTIONS



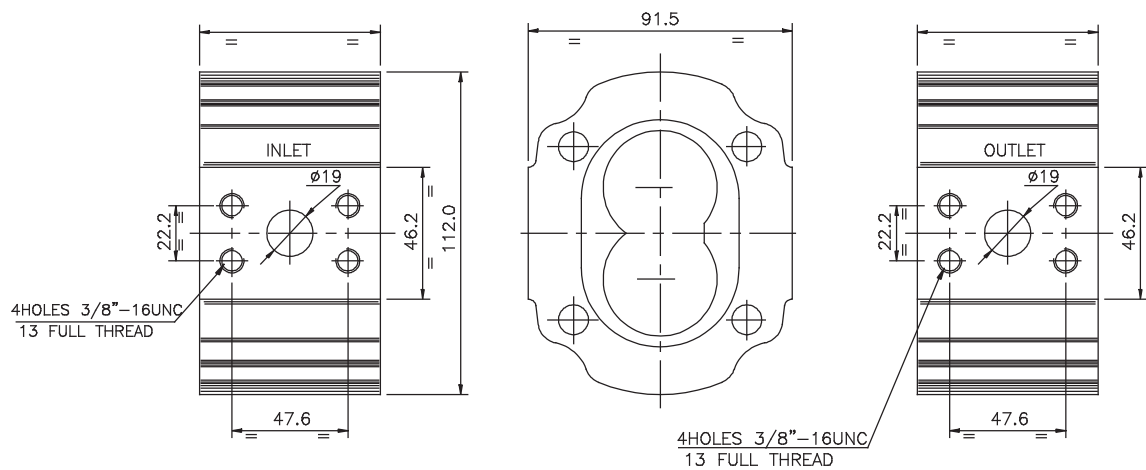
# 1P - P3000 PUMP SERIES

## BODY PORT CODE - J SAE O-RING THREADED PORTS. (SAE:J1926/1)



PUMP TYPE	INLET PORT	THREAD DEPTH	OUTLET PORT	THREAD DEPTH
1P 3017	1-1/16" 12UN	19	7/8"-14UN	16.5
1P 3020	1-1/16" 12UN	19	7/8"-14UN	16.5
1P 3028	1-1/16" 12UN	19	7/8"-14UN	16.5
1P 3036	1-1/16" 12UN	19	7/8"-14UN	16.5
1P 3044	1-5/16" 12UN	19	1-1/16" 12UN	19
1P 3052	1-5/16" 12UN	19	1-1/16" 12UN	19
1P 3060	1-5/16" 12UN	19	1-1/16" 12UN	19
1P 3072	1-5/16" 12UN	19	1-1/16" 12UN	19
1P 3090	1-5/16" 12UN	19	1-1/16" 12UN	19

## BODY PORT CODE - S



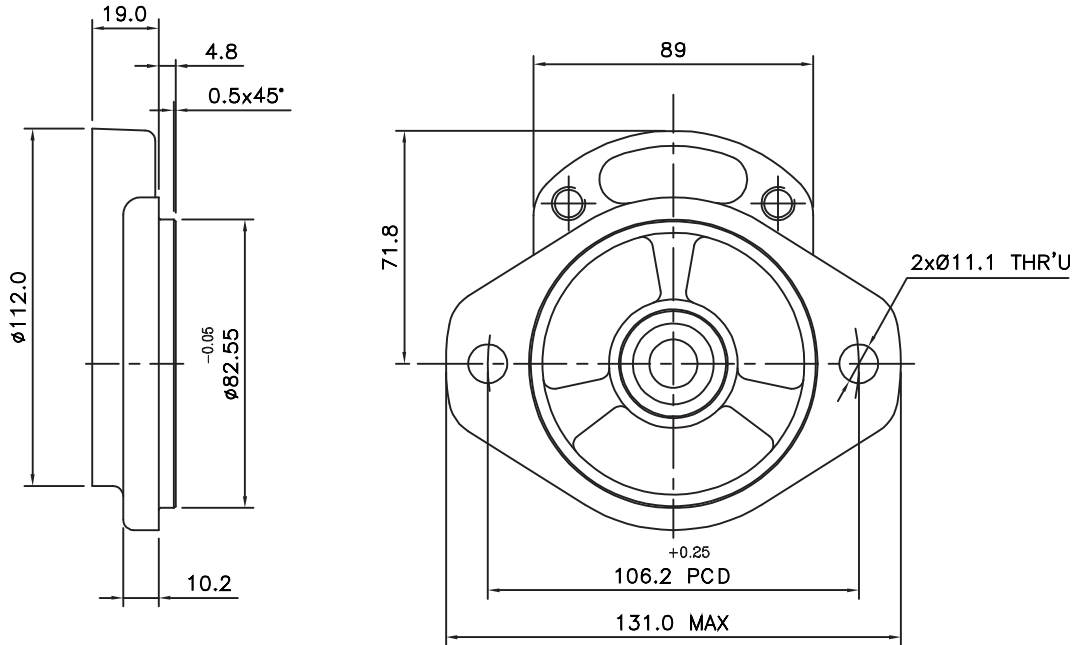
PUMP TYPE
IP 3044
IP 3052
IP 3060
IP 3072
IP 3090

ALL DIMENSIONS ARE IN mm UNLESS OTHERWISE SPECIFIED

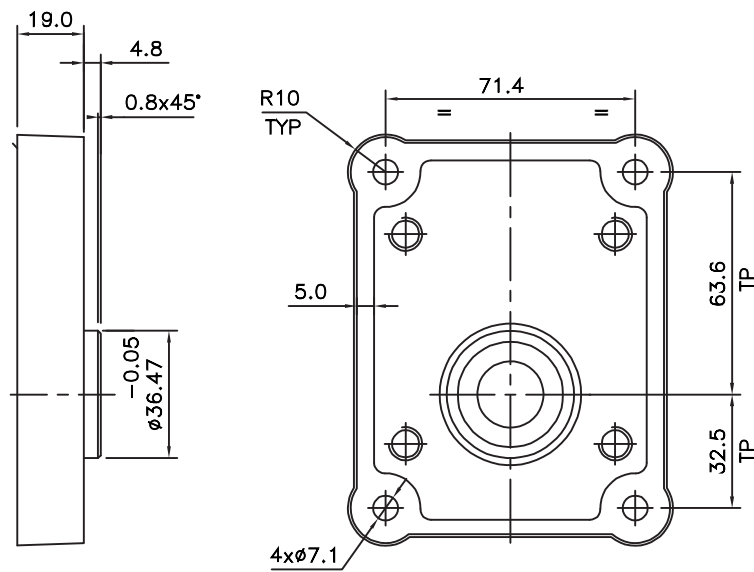
CONSULT MARKETING FOR MORE FITMENT OPTIONS

# 1P - P3000 PUMP SERIES

## MOUNTING FLANGE P-3000 PROFILE CODE-S (SAE A 2 BOLT MTG)



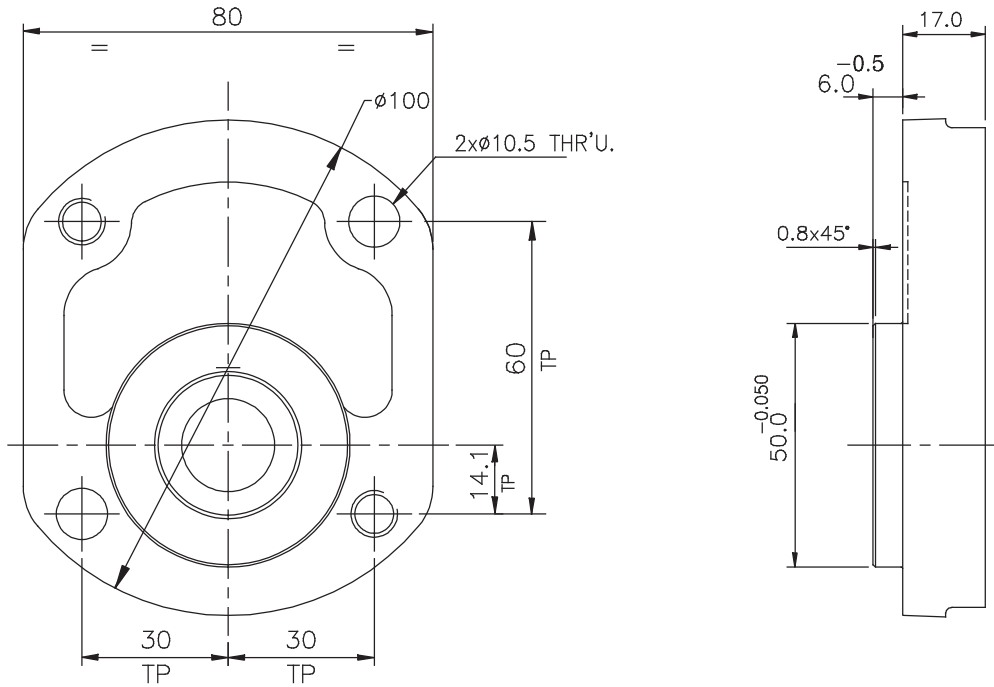
## CODE - D (4 BOLT MTG)



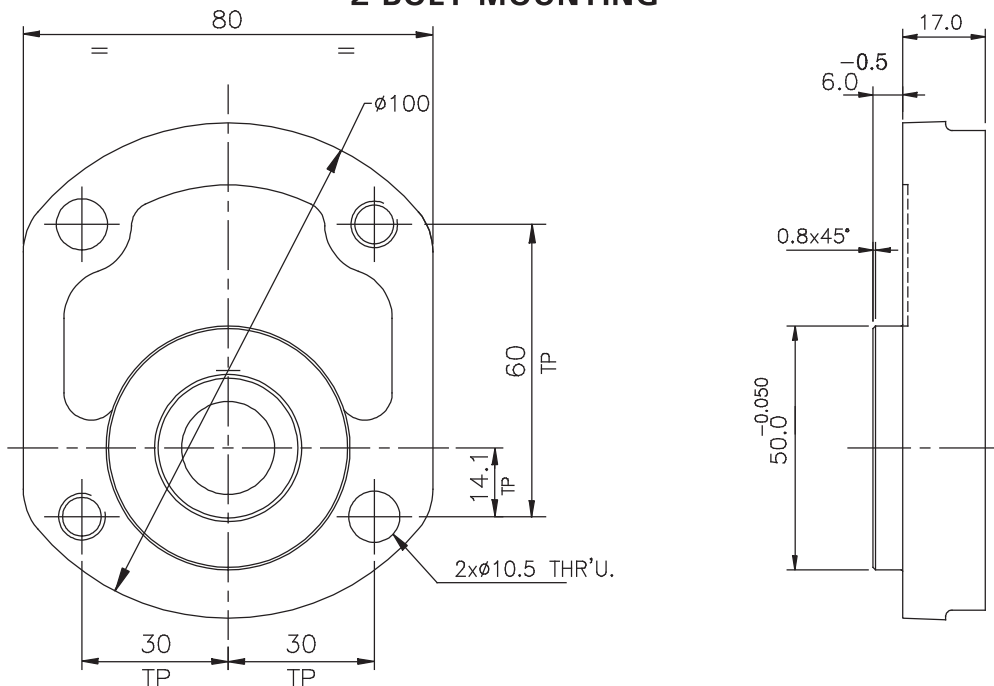
ALL DIMENSIONS ARE IN mm UNLESS OTHERWISE SPECIFIED

# 1P - P3000 PUMP SERIES

## MOUNTING FLANGE CODE - K (CLOCKWISE ROTATION) 2-BOLT MOUNTING



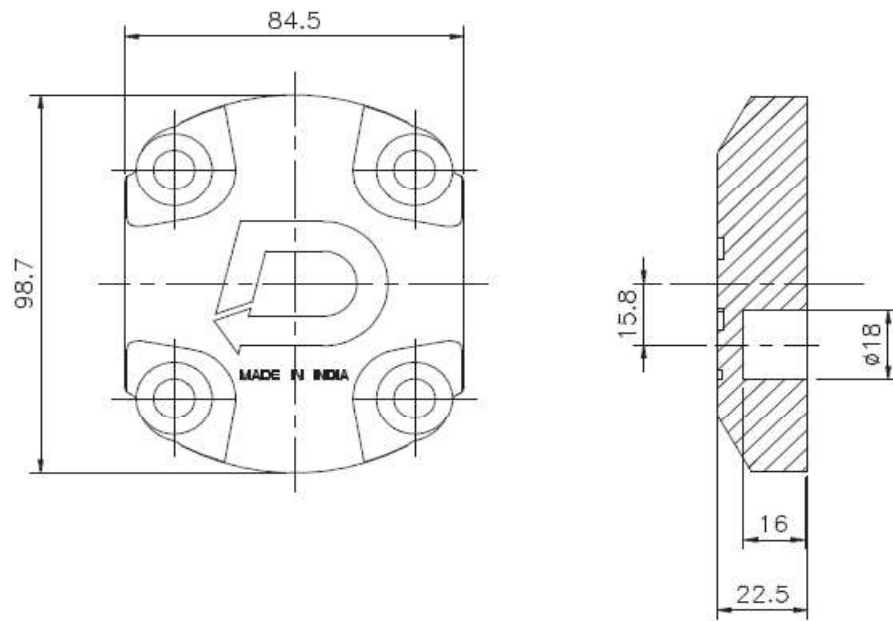
## MOUNTING FLANGE CODE - K (ANTI CLOCKWISE ROTATION) 2-BOLT MOUNTING



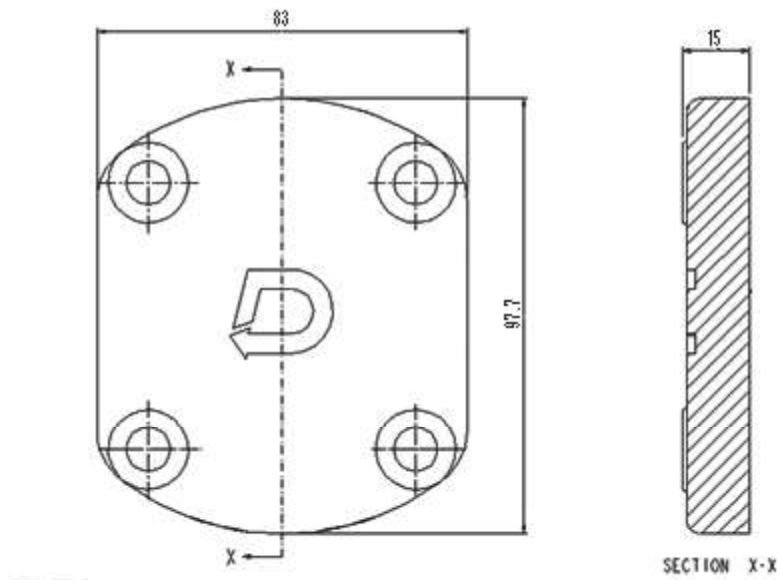
ALL DIMENSIONS ARE IN mm UNLESS OTHERWISE SPECIFIED

# 1P - P3000 PUMP SERIES

## PUMP COVER CODE - A



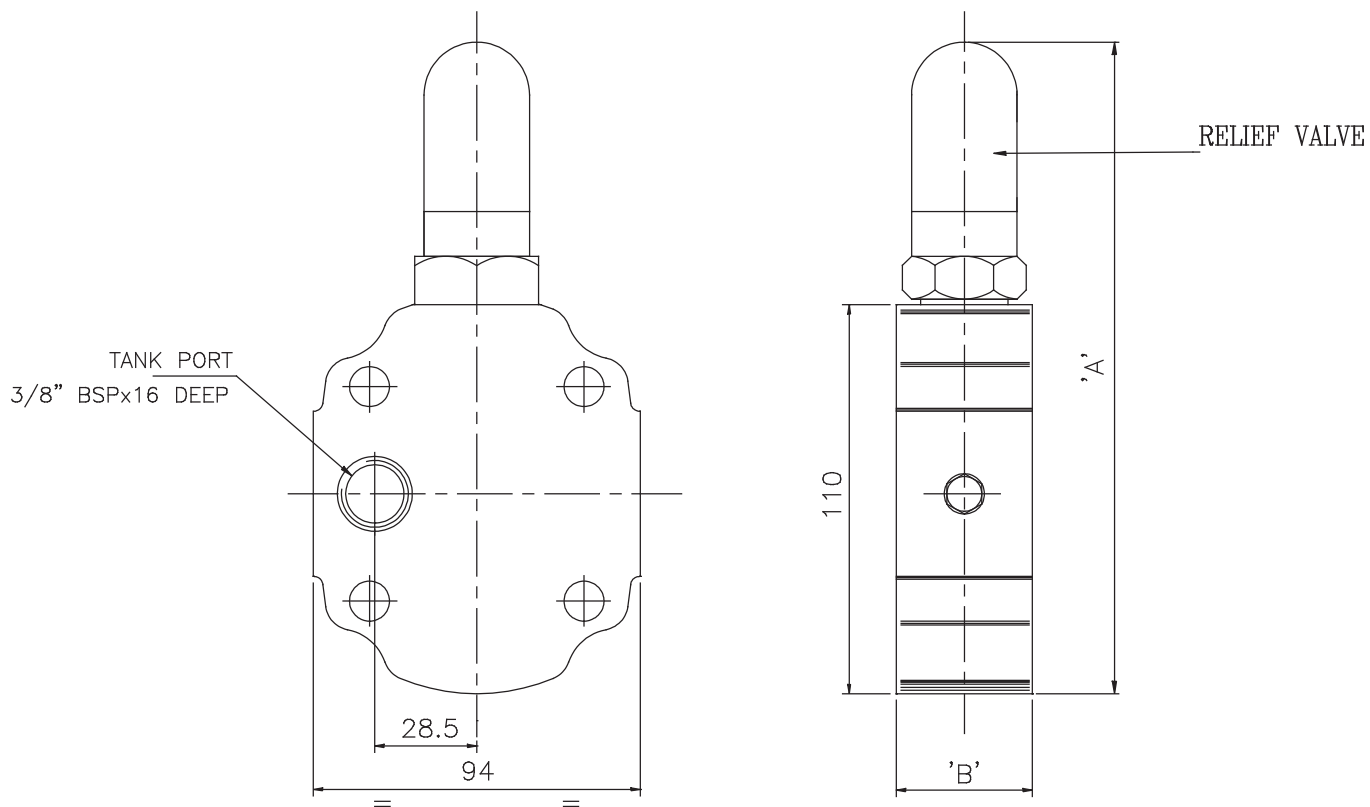
## PUMP COVER CODE - B



ALL DIMENSIONS ARE IN mm UNLESS OTHERWISE SPECIFIED

# 1P - P3000 PUMP SERIES

## COVER WITH RELIEF VALVE CODE - R



PUMP TYPE	RELIEF VALVE SIZE	DIMENSION-A	DIMENSION-B	FLOW RATING ltr/min	PRESSURE RATING bar
1P 3017 TO 1P 3036	NG-6	170	38	up to 20	207 Max
1P 3044 TO 1P 3090	NG-10	175	45	20 to 40	207 max

ALL DIMENSIONS ARE IN mm UNLESS OTHERWISE SPECIFIED