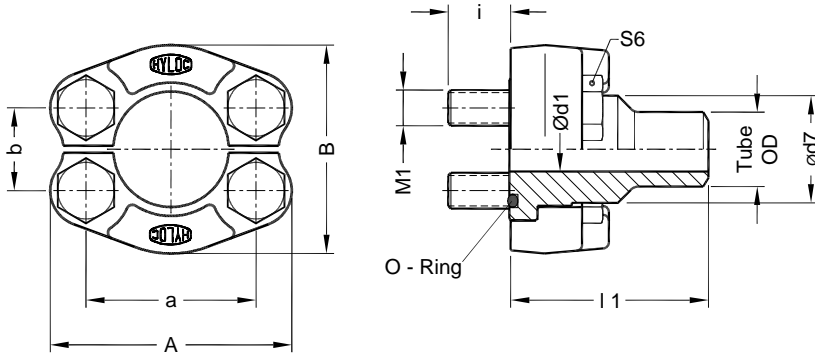


Dimensions in mm

For Welded tube construction  
 Mounting Interface conforms to ISO 6162  
 Seal Material : NBR 90 Shore

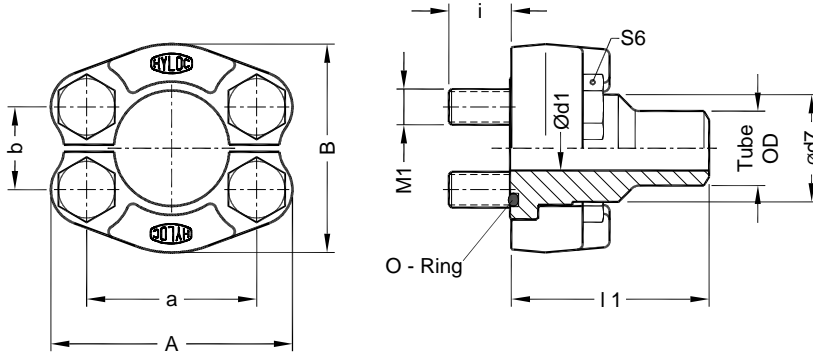


## Standard Pressure Series (Code 61)

| Part No. | Nom size | PB (bar) | Tube od x wall th. | A   | a    | B  | b    | i  | Ød1 | Ød7  | l1 | Split Flange | O - Ring ID x CSD | Hex. bolts (10.9) |
|----------|----------|----------|--------------------|-----|------|----|------|----|-----|------|----|--------------|-------------------|-------------------|
| AS3215PL | 1/2      | 323      | 15 x 2.0           | 54  | 38.1 | 46 | 17.5 | 12 | 11  | 23.9 | 38 | SFS04        | 19.0 x 3.55       | M8 x 25           |
| AS3216PS |          | 350      | 16 x 3.0           |     |      |    |      |    | 10  |      |    |              |                   |                   |
| AS3318PL | 3/4      | 210      | 18 x 1.5           | 65  | 47.6 | 52 | 22.3 | 16 | 15  | 31.8 | 50 | SFS06        | 25.0 x 3.55       | M10 x 30          |
| AS3322PL |          | 228      | 22 x 2.0           |     |      |    |      |    | 18  |      |    |              |                   |                   |
| AS3320PS |          | 350      | 20 x 3.0           |     |      |    |      |    | 14  |      |    |              |                   |                   |
| AS3325PS |          | 350      | 25 x 4.0           |     |      |    |      |    | 17  |      |    |              |                   |                   |
| AS3428PL | 1        | 182      | 28 x 2.0           | 70  | 52.4 | 59 | 26.2 | 14 | 24  | 38.0 | 50 | SFS08        | 32.5 x 3.55       | M10 x 30          |
| AS3430PS |          | 350      | 30 x 4.5           |     |      |    |      |    | 21  |      |    |              |                   |                   |
| AS3535PL | 1 1/4    | 147      | 35 x 2.0           | 79  | 58.7 | 73 | 30.2 | 16 | 31  | 43.0 | 55 | SFS10        | 37.5 x 3.55       | M10 x 30          |
| AS3525PS |          | 280      | 25 x 3.0           |     |      |    |      |    | 19  |      |    |              |                   |                   |
| AS3530PS |          | 280      | 30 x 4.0           |     |      |    |      |    | 22  |      |    |              |                   |                   |
| AS3538PS |          | 280      | 38 x 5.0           |     |      |    |      |    | 28  |      |    |              |                   |                   |
| AS3642PL | 1 1/2    | 182      | 42 x 3.0           | 94  | 69.9 | 83 | 35.7 | 19 | 36  | 50.0 | 57 | SFS12        | 47.5 x 3.55       | M12 x 35          |
| AS3638PS |          | 210      | 38 x 4.0           |     |      |    |      |    | 30  |      |    |              |                   |                   |
| AS3850PS | 2        | 210      | 50 x 6.0           | 102 | 77.8 | 97 | 42.9 | 19 | 38  | 62.0 | 62 | SFS16        | 56.0 x 3.55       | M12 x 35          |
| AS3865PS |          | 210      | 65 x 8.0           |     |      |    |      |    | 49  | 65.0 | 62 |              |                   |                   |

Dimensions in mm

For Welded tube construction  
 Mounting Interface conforms to ISO 6162  
 Seal Material : NBR 90 Shore



## High Pressure Series (Code 62)

| Part No. | Nom size | PB (bar) | Tube od x wall th. | A   | a    | B   | b    | i  | Ød1 | Ød7  | l1  | Split Flange | O - Ring ID x CSD | Hex. bolts (10.9) |
|----------|----------|----------|--------------------|-----|------|-----|------|----|-----|------|-----|--------------|-------------------|-------------------|
| AS6216PS | 1/2      | 415      | 16 x 3.0           | 56  | 40.5 | 48  | 18.2 | 14 | 10  | 23.9 | 41  | SFH04        | 19.0 x 3.55       | M8 x 30           |
| AS6316PS | 3/4      | 415      | 16 x 3.0           | 71  | 50.8 | 60  | 23.8 | 16 | 10  | 31.8 | 55  | SFH06        | 25.0 x 3.55       | M10 x 35          |
| AS6320PS |          | 415      | 20 x 4.0           |     |      |     |      |    | 12  |      |     |              |                   |                   |
| AS6325PS |          | 415      | 25 x 5.0           |     |      |     |      |    | 15  |      |     |              |                   |                   |
| AS6425PS | 1        | 415      | 25 x 5.0           | 81  | 57.2 | 70  | 27.8 | 21 | 15  | 38.0 | 67  | SFH08        | 32.5 x 3.55       | M12 x 45          |
| AS6430PS |          | 323      | 30 x 4.0           |     |      |     |      |    | 22  |      |     |              |                   |                   |
| AS6430PS |          | 415      | 30 x 6.0           |     |      |     |      |    | 18  |      |     |              |                   |                   |
| AS6530PS | 1 1/4    | 323      | 30 x 4.0           | 95  | 66.6 | 78  | 31.8 | 18 | 22  | 43.7 | 78  | SFH10        | 37.5 x 3.55       | M12 x 45          |
| AS6530PS |          | 415      | 30 x 6.0           |     |      |     |      |    | 18  |      |     |              |                   |                   |
| AS6538PS |          | 319      | 38 x 5.0           |     |      |     |      |    | 28  |      |     |              |                   |                   |
| AS6538PS |          | 415      | 38 x 8.0           |     |      |     |      |    | 22  |      |     |              |                   |                   |
| AS6638PS | 1 1/2    | 319      | 38 x 5.0           | 113 | 79.3 | 95  | 36.5 | 25 | 28  | 50.8 | 85  | SFH12        | 47.5 x 3.55       | M16 x 55          |
| AS6638PS |          | 415      | 38 x 8.0           |     |      |     |      |    | 22  |      |     |              |                   |                   |
| AS6850PS | 2        | 415      | 50 x 9.0           | 133 | 96.8 | 114 | 44.5 | 33 | 32  | 66.6 | 116 | SFH16        | 56.0 x 3.55       | M20 x 70          |
| AS6865PS |          | 300      | 65 x 8.0           |     |      |     |      |    | 49  |      |     |              |                   |                   |