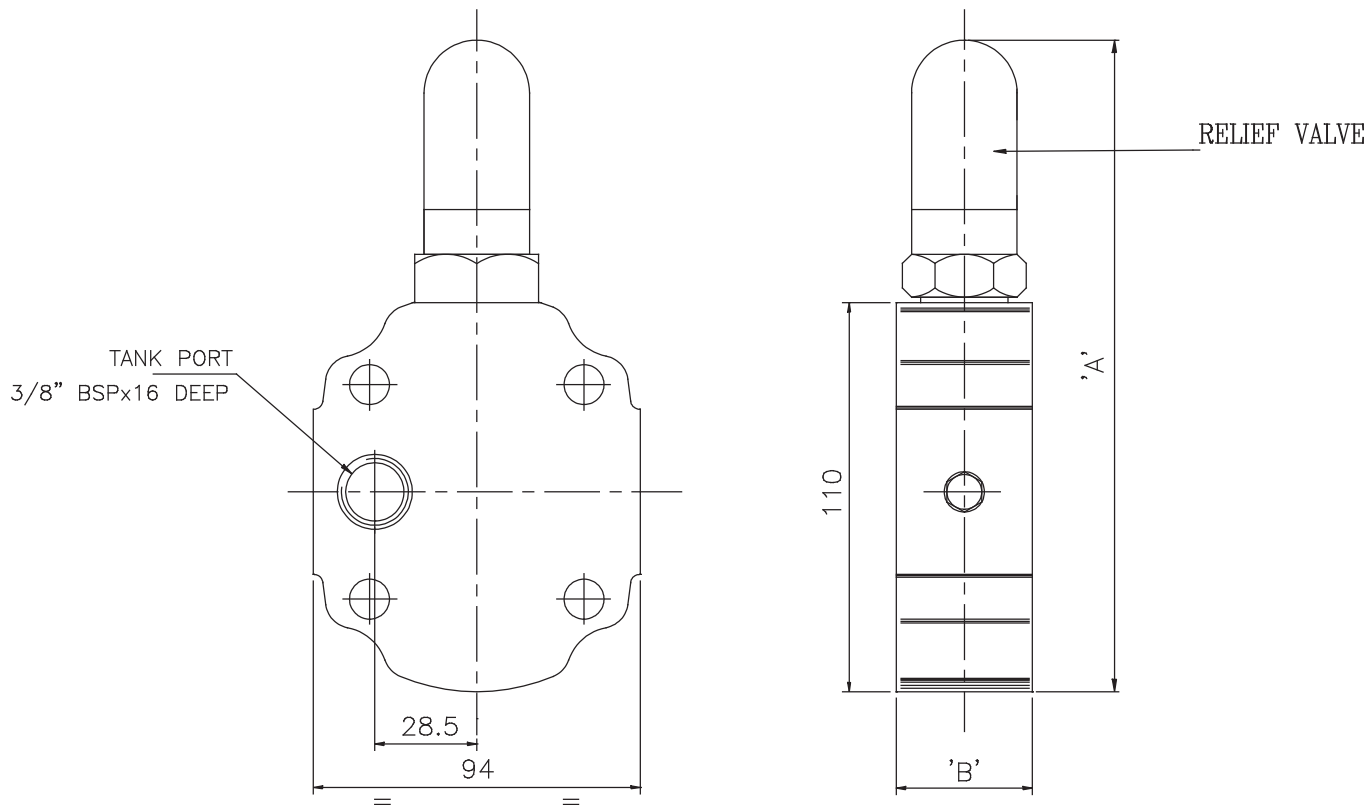


# 1P - P3000 PUMP SERIES

## COVER WITH RELIEF VALVE CODE - R



PUMP TYPE	RELIEF VALVE SIZE	DIMENSION-A	DIMENSION-B	FLOW RATING ltr/min	PRESSURE RATING bar
1P 3017 TO 1P 3036	NG-6	170	38	up to 20	207 Max
1P 3044 TO 1P 3090	NG-10	175	45	20 to 40	207 max

ALL DIMENSIONS ARE IN mm UNLESS OTHERWISE SPECIFIED

# GROUP 1P – P4000 SERIES

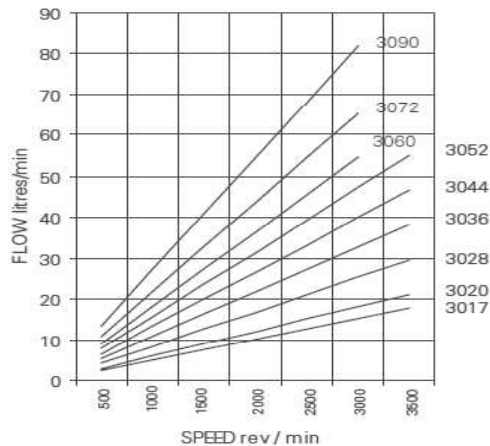
## PERFORMANCE DATA

Pressures quoted are relief valve maximum by-pass  
 Performance with SAE 20W oil at 50°C

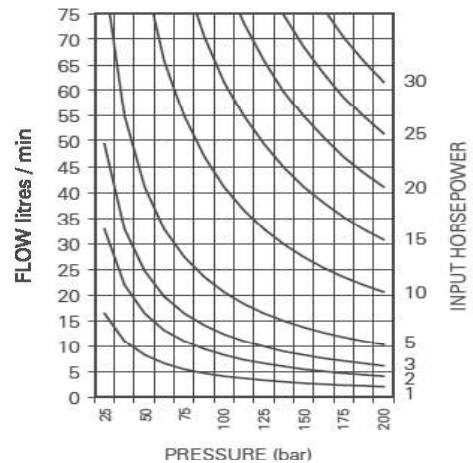
PUMP TYPE	DISPLACEMENT	DELIVERY @1500 RPM & PRESSURE P		MAXIMUM CONTINUOUS PRESSURE P		SPEED AT MAXIMUM CONTINUOUS PRESSURE P	
	cc/rev	MIN (lpm)	MAX (lpm)	psi	bar	MAX	MIN
4017	6.1	7.8	9.2	3000	207	3500	700
4020	7	8.9	10.5	3000	207	3500	700
4028	9.4	12.2	14.2	3000	207	3500	700
4036	11.9	15.7	17.85	3000	207	3500	700
4044	14.3	18.9	21.5	3000	207	3500	700
4052	16.8	22.9	25.2	3000	207	3500	700
4060	19.2	26.5	28.8	3000	207	3500	700
4072	22.8	31.5	34.3	2525	174	3000	700
4090	28.13	38.8	42.2	2000	138	2400	700

## TYPICAL PERFORMANCE

TYPICAL PUMP DELIVERY  
 Flow at Max. Pressure

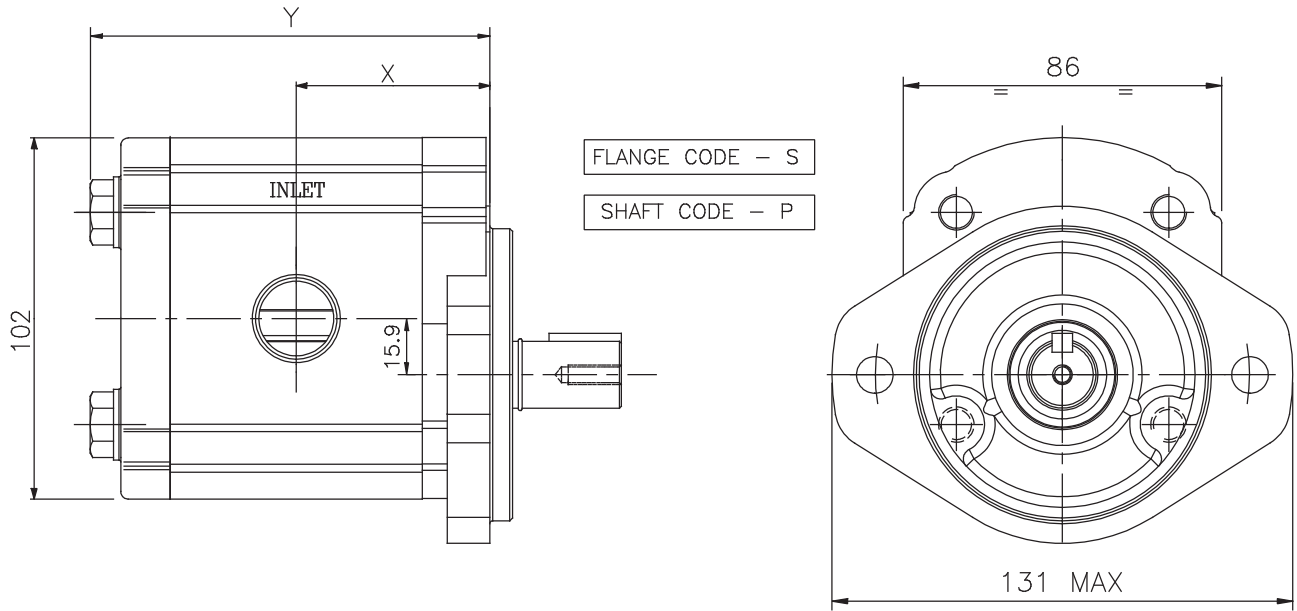


TYPICAL INPUT HORSEPOWER  
 Fluid SAE 20W  
 Fluid Temperature 50°C



# 1P - P4000 PUMP SERIES

## INSTALLATION DIMENSIONS 1P 4000 SERIES



PUMP TYPE	DIMENSIONS	
	X	Y
1P-4017	41.8	87.0
1P-4020	42.6	88.6
1P-4028	44.1	91.6
1P-4036	45.6	94.7
1P-4044	54.6	112.8
1P-4052	56.2	115.8
1P-4060	57.7	118.9
1P-4072	60.0	123.5
1P-4090	63.3	130.2

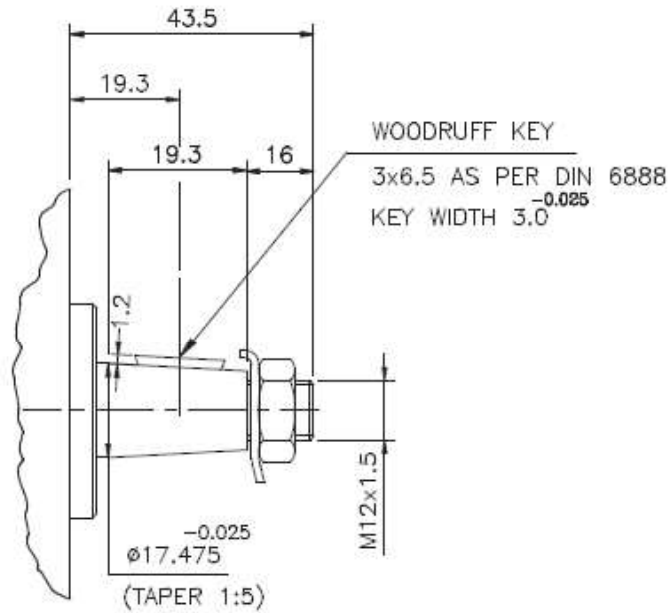
**NOTE:**

- The representation for the pump assembly drawing is for anti-clockwise direction of shaft rotation as viewed from pump drive shaft end. For clockwise rotation of pump shaft, the position of inlet & outlet ports will interchange.
- Unless otherwise specified, the dimension 'X' is identical for both inlet & outlet port positions

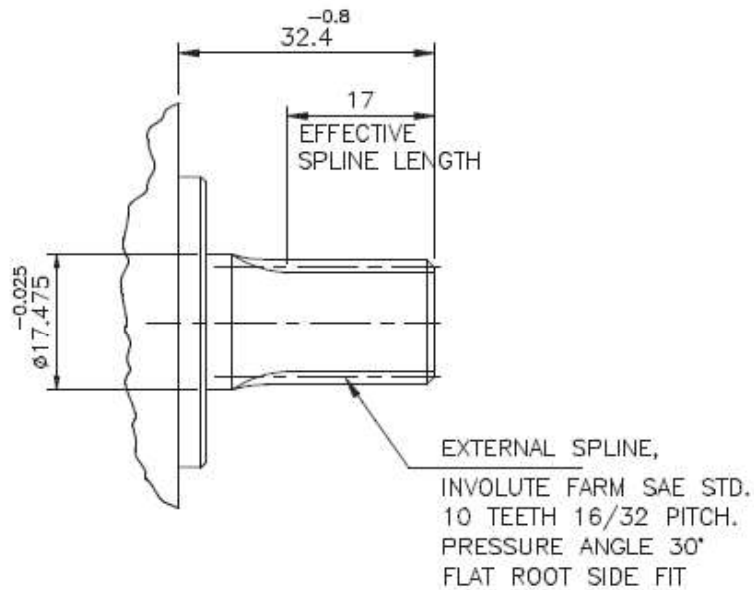
ALL DIMENSIONS ARE IN mm UNLESS OTHERWISE SPECIFIED

# 1P - P4000 PUMP SERIES

## DRIVE SHAFT CODE - K FLANGE CODE - K



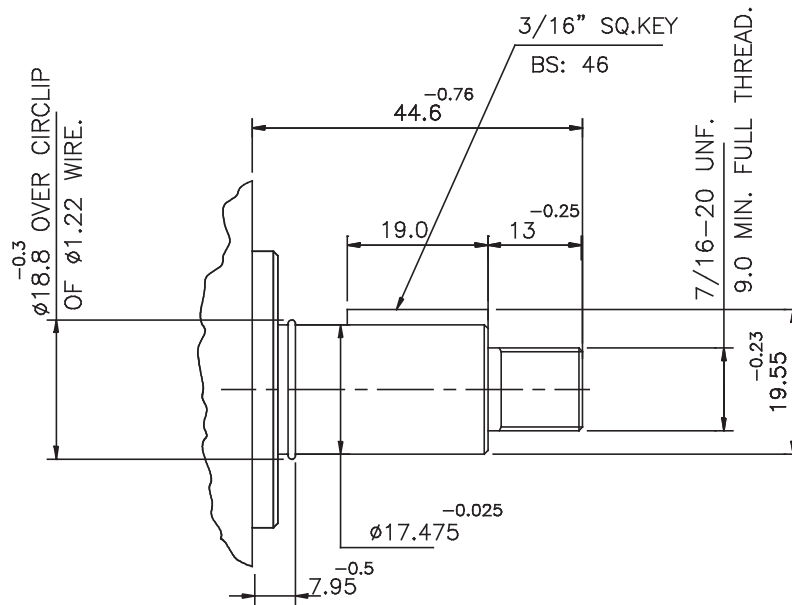
## DRIVE SHAFT CODE - H FLANGE CODE - D & S



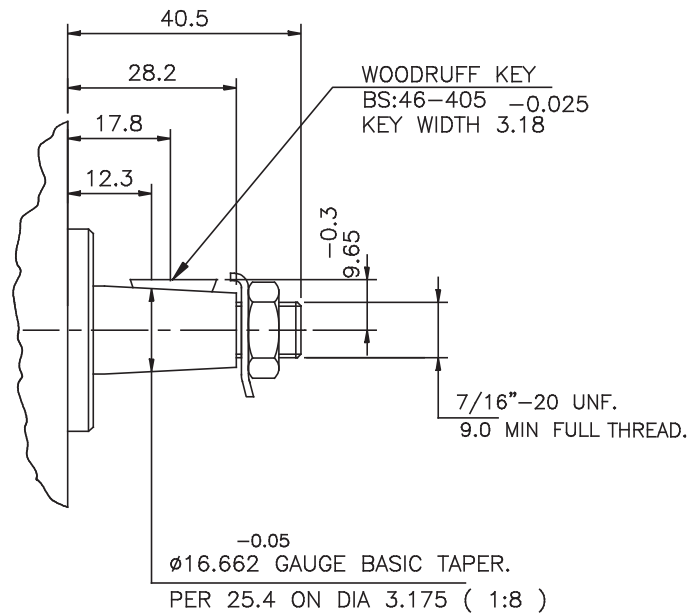
ALL DIMENSIONS ARE IN mm UNLESS OTHERWISE SPECIFIED

# 1P - P4000 PUMP SERIES

**DRIVE CODE - U**  
**FLANGE CODE - D & S**



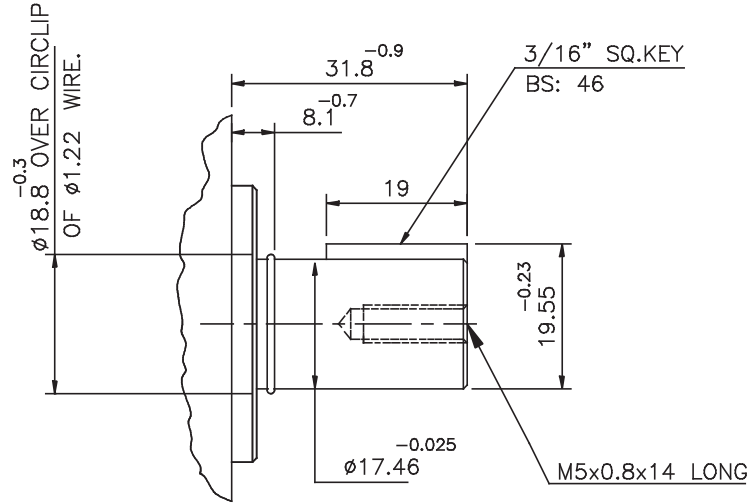
**SHAFT CODE - T**  
**FLANGE CODE - D & S**



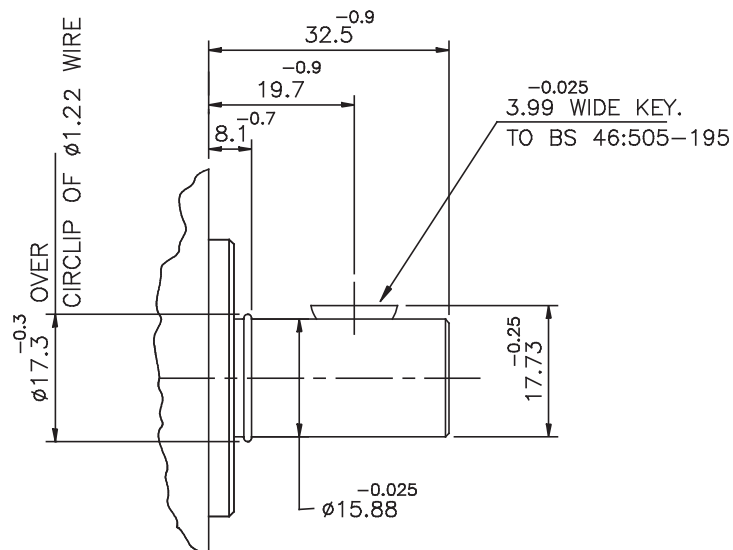
ALL DIMENSIONS ARE IN mm UNLESS OTHERWISE SPECIFIED

# 1P - P4000 PUMP SERIES

## DRIVE SHAFT CODE - P FLANGE CODE - D & S



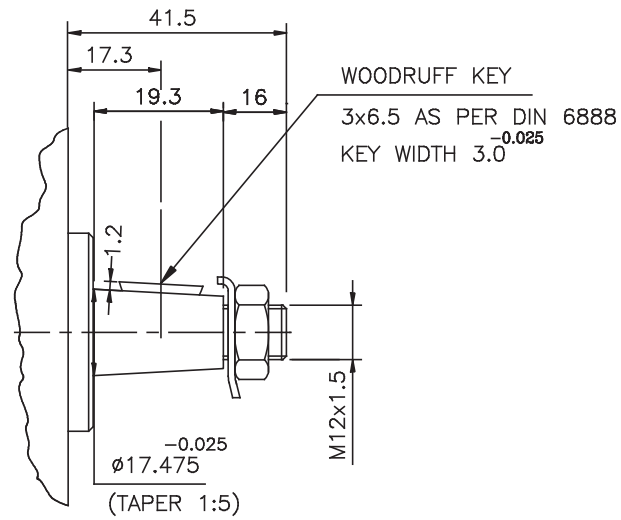
## DRIVE SHAFT CODE - L FLANGE CODE - D & S



ALL DIMENSIONS ARE IN mm UNLESS OTHERWISE SPECIFIED

# 1P - P4000 PUMP SERIES

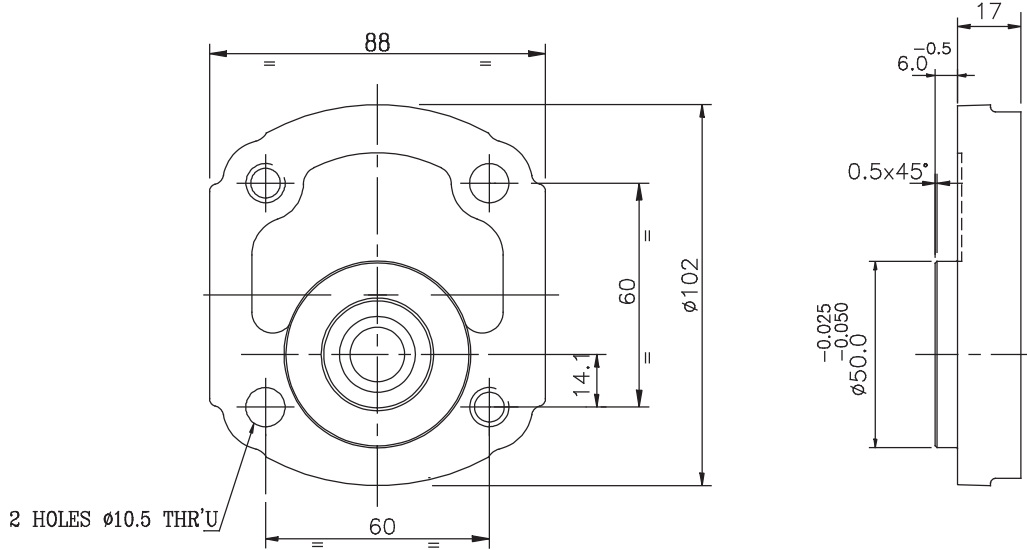
## DRIVE SHAFT CODE - K FLANGE CODE - D & S



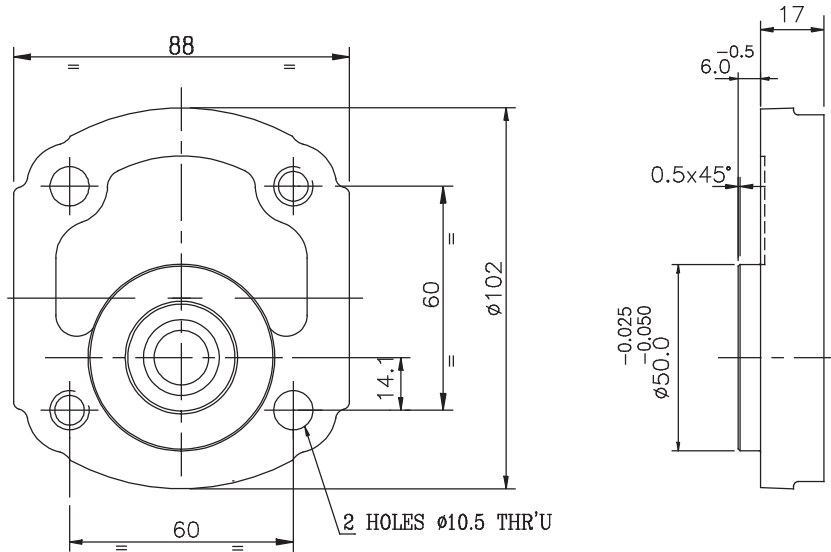
ALL DIMENSIONS ARE IN mm UNLESS OTHERWISE SPECIFIED

# 1P - P4000 PUMP SERIES

## MOUNTING FLANGE CODE - K 2 BOLT MOUNTING CLOCKWISE ROTATION



## MOUNTING FLANGE CODE - K 2 BOLT MOUNTING ANTI CLOCKWISE ROTATION

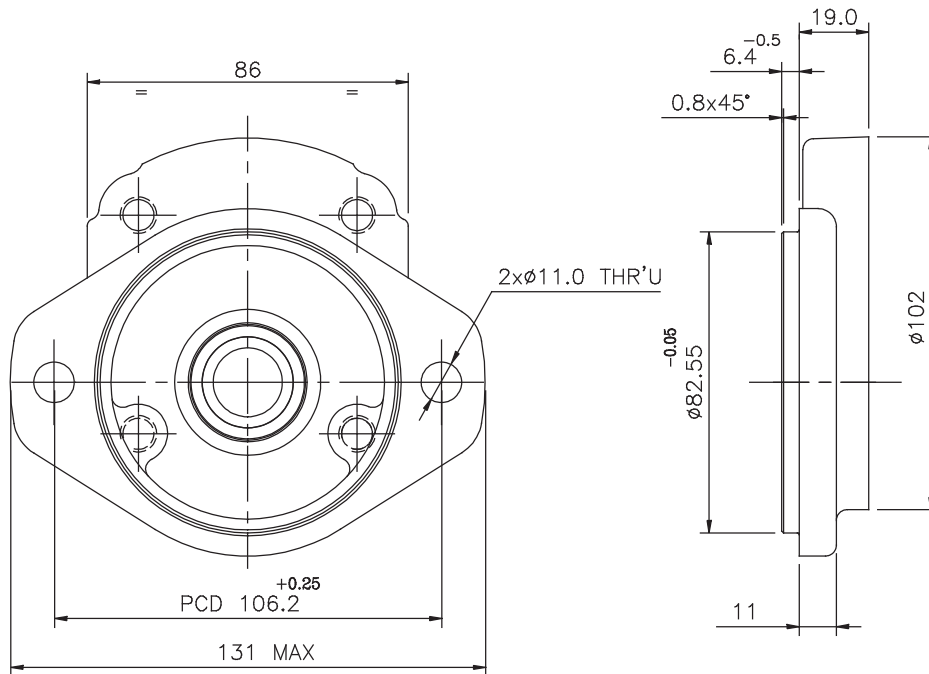


ALL DIMENSIONS ARE IN mm UNLESS OTHERWISE SPECIFIED



# 1P - P4000 PUMP SERIES

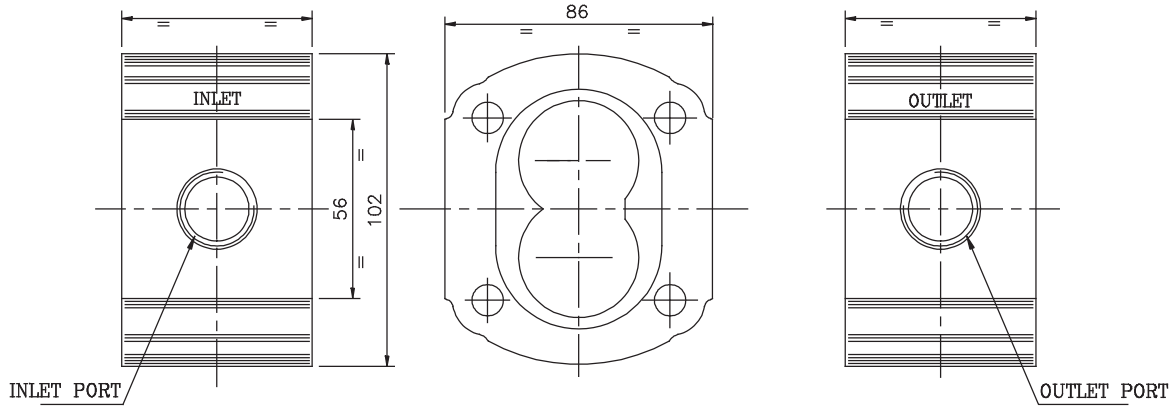
## MOUNTING FLANGE CODE - S SAE 2 BOLT MOUNTING



ALL DIMENSIONS ARE IN mm UNLESS OTHERWISE SPECIFIED

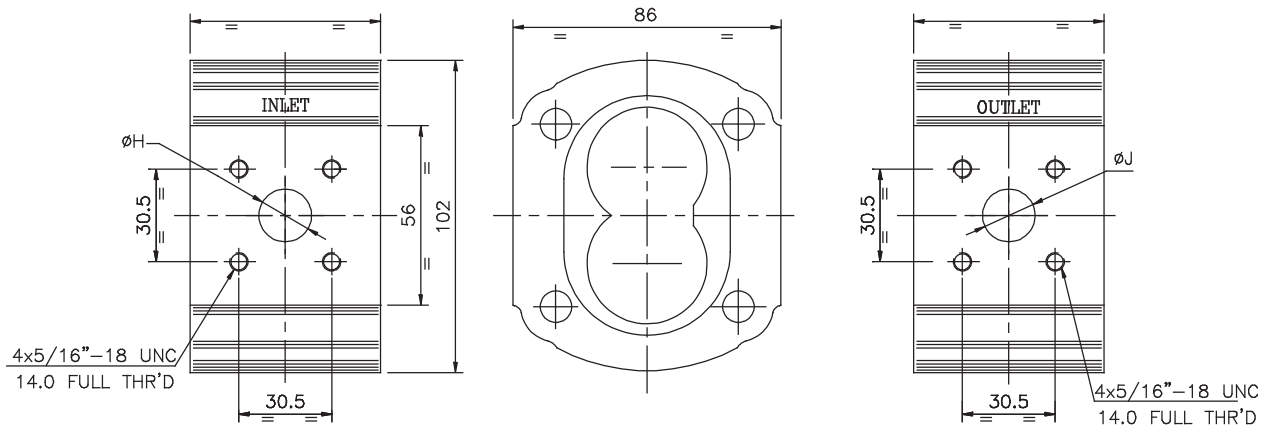
# 1P - P4000 PUMP SERIES

## BODY PORT CODE - T



PUMP TYPE	INLET PORT	THREAD DEPTH	OUTLET PORT	THREAD DEPTH
1P 4017	1/2" BSPF	14.0	1/2" BSPF	14.0
1P 4020	1/2" BSPF	14.0	1/2" BSPF	14.0
1P 4028	1/2" BSPF	14.0	1/2" BSPF	14.0
1P 4036	3/4" BSPF	17.8	1/2" BSPF	14.0
1P 4044	3/4" BSPF	17.8	3/4" BSPF	17.8
1P 4052	3/4" BSPF	17.8	3/4" BSPF	17.8
1P 4060	3/4" BSPF	17.8	3/4" BSPF	17.8
1P 4072	3/4" BSPF	17.8	3/4" BSPF	17.8
1P 4090	3/4" BSPF	17.8	3/4" BSPF	17.8

## BODY PORT CODE - F



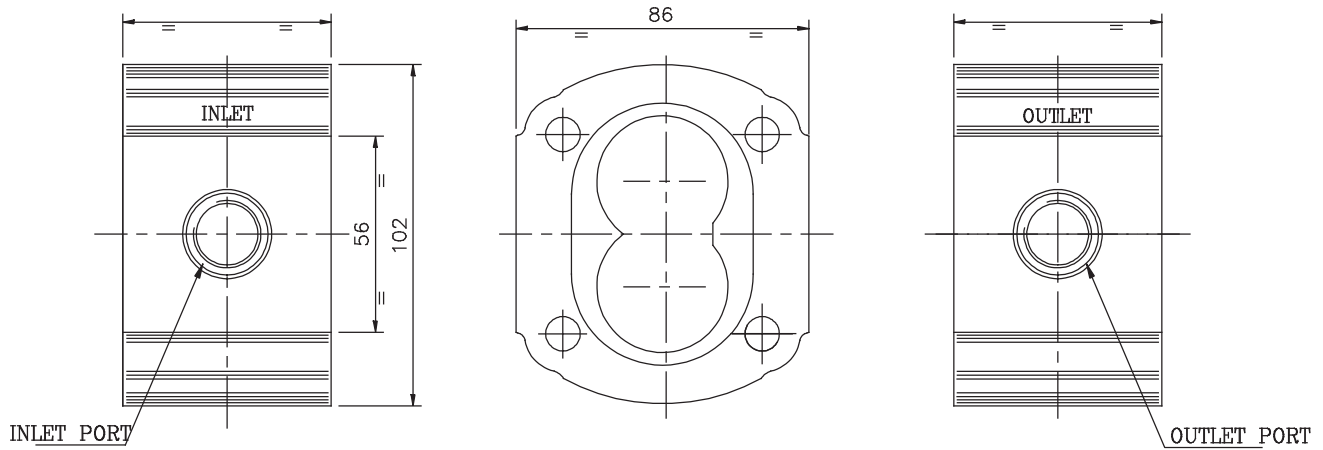
PUMP TYPE	INLET PORT $+0.5$ $\varnothing H$	OUTLET PORT $+0.5$ $\varnothing J$
1P 4017	17.3	17.3
1P 4020	17.3	17.3
1P 4028	17.3	17.3
1P 4036	17.3	17.3
1P 4044	20.3	20.3
1P 4052	20.3	20.3
1P 4060	20.3	20.3
1P 4072	20.3	20.3
1P 4090	20.3	20.3

ALL DIMENSIONS ARE IN mm UNLESS OTHERWISE SPECIFIED

CONSULT MARKETING FOR MORE FITMENT OPTIONS

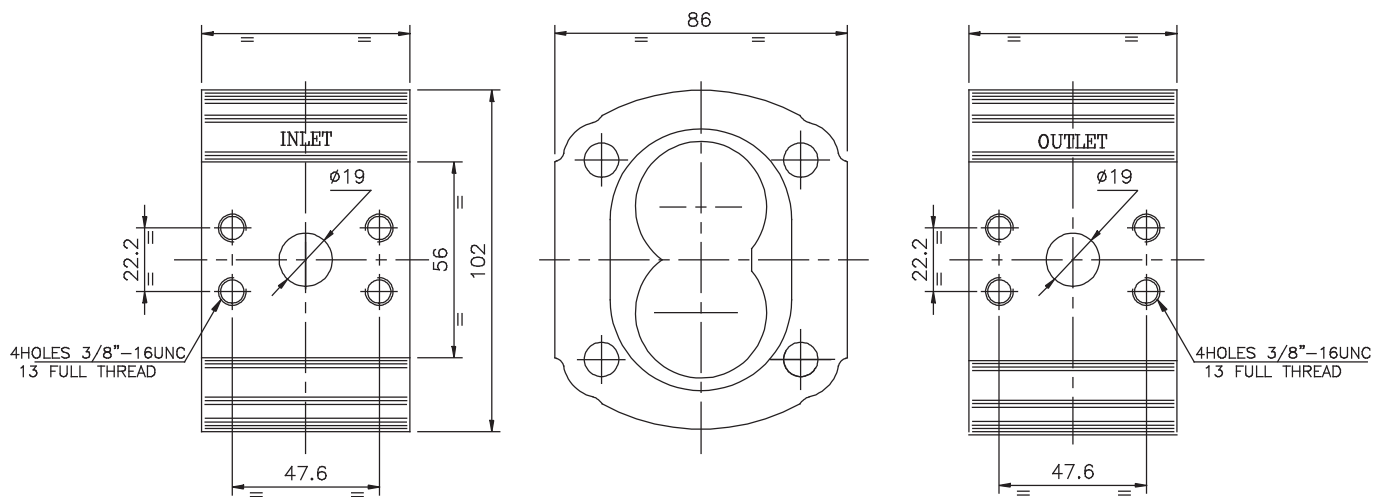
# 1P - P4000 PUMP SERIES

## BODY PORT CODE - J SAE O-RING THREADED PORTS (SAE:J 1926/1)



PUMP TYPE	INLET PORT	THREAD DEPTH	OUTLET PORT	THREAD DEPTH
1P 4017	1-1/16" 12UN	19	7/8"-14UN	16.5
1P 4020	1-1/16" 12UN	19	7/8"-14UN	16.5
1P 4028	1-1/16" 12UN	19	7/8"-14UN	16.5
1P 4036	1-1/16" 12UN	19	7/8"-14UN	16.5
1P 4044	1-5/16" 12UN	19	1-1/16" 12UN	19
1P 4052	1-5/16" 12UN	19	1-1/16" 12UN	19
1P 4060	1-5/16" 12UN	19	1-1/16" 12UN	19
1P 4072	1-5/16" 12UN	19	1-1/16" 12UN	19
1P 4090	1-5/16" 12UN	19	1-1/16" 12UN	19

## BODY PORT CODE - S



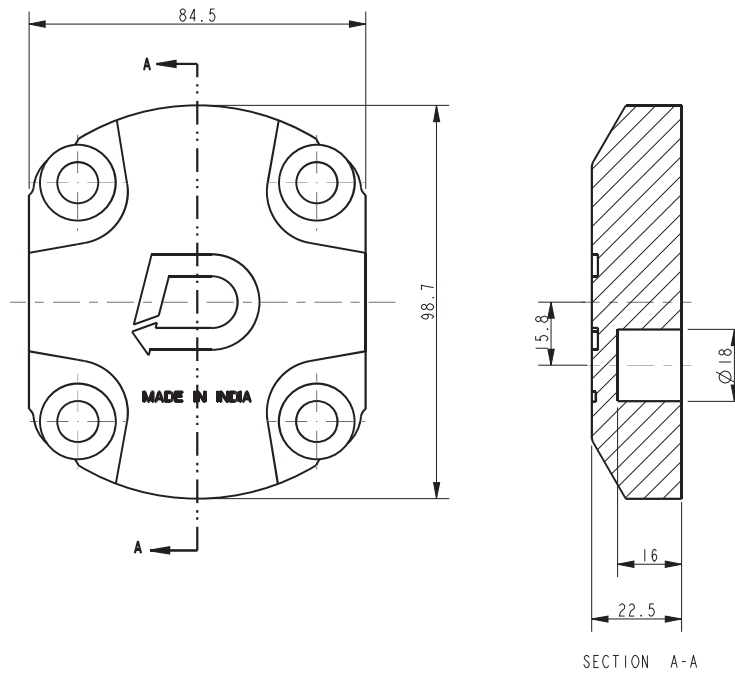
PUMP TYPE
1P 4044
1P 4052
1P 4060
1P 4072
1P 4090

ALL DIMENSIONS ARE IN mm UNLESS OTHERWISE SPECIFIED

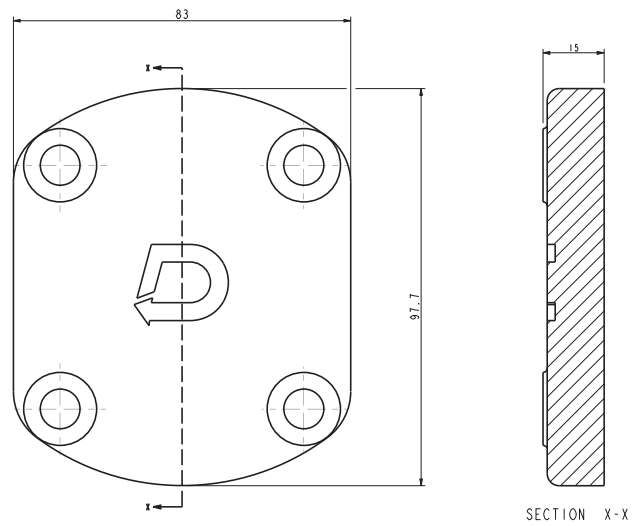
CONSULT MARKETING FOR MORE FITMENT OPTIONS

# 1P - P4000 PUMP SERIES

## PUMP COVER CODE - A



## PUMP COVER CODE - B



ALL DIMENSIONS ARE IN mm UNLESS OTHERWISE SPECIFIED