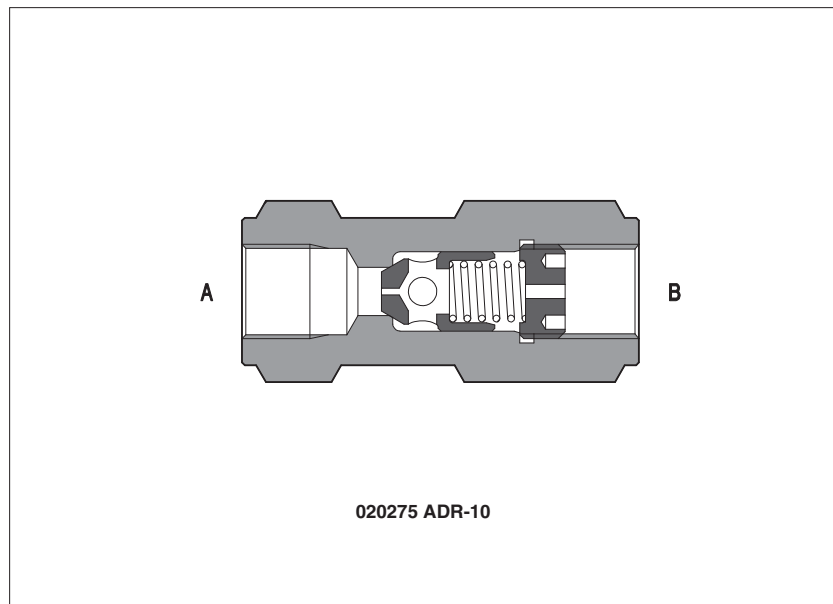


Check valves type 020275 ADR-10 with calibrated orifice

in-line mounting - G 3/8" threaded ports

Available only on request



020275 ADR are direct operated check valves for in-line mounting with calibrated orifice realized in the valve poppet. This special execution is a simple solution to obtain a free flow (fast speed) in one direction (A \rightarrow B) and a controlled flow in the opposite direction (B \rightarrow A). The controlled flow is depending on the selected orifice diameter (see sect. 2). Available with port size G 3/8".

Applications:

Typical applications in mobile machines for the boom speed control.

Max flow up to 80 l/min.
Pressure up to 400 bar.
Calibrated orifice from 0,8 to 2,5 mm.

1 MODEL CODE

020275	ADR	-	10	/	2	/	125	/	25
Special execution with calibrated orifice									Ring diameter None = 8 mm 15 = 1,5 mm 25 = 2,5 mm 30 = 3,0 mm (see section 2 for calibrated orifice/ring diameter coupling)
Check valve in-line mounting									Calibrated orifice (see section 2 for available diameters)
Size/threated connections: 10 = G 3/8"									Cracking pressure: 10 = 0,5 bar 12 = 2 bar 14 = 4 bar

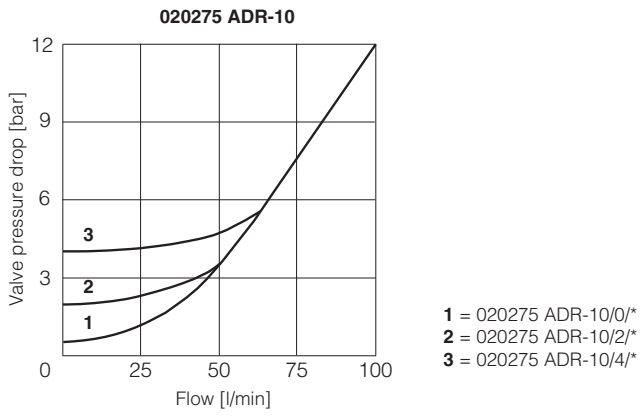
2 HYDRAULIC CHARACTERISTICS

Hydraulic symbol												
Orifice code	08	09	10	12	125	15	17	20	22	25		
Orifice diameter [mm]	0,8	0,9	1,0	1,2	1,25	1,5	1,7	2,0	2,2	2,5		
Ring diameter [mm]	1,5 2,5			2,5							2,5 3,0	
Max recommended flow [l/min]	80											
Max pressure [bar]	400											

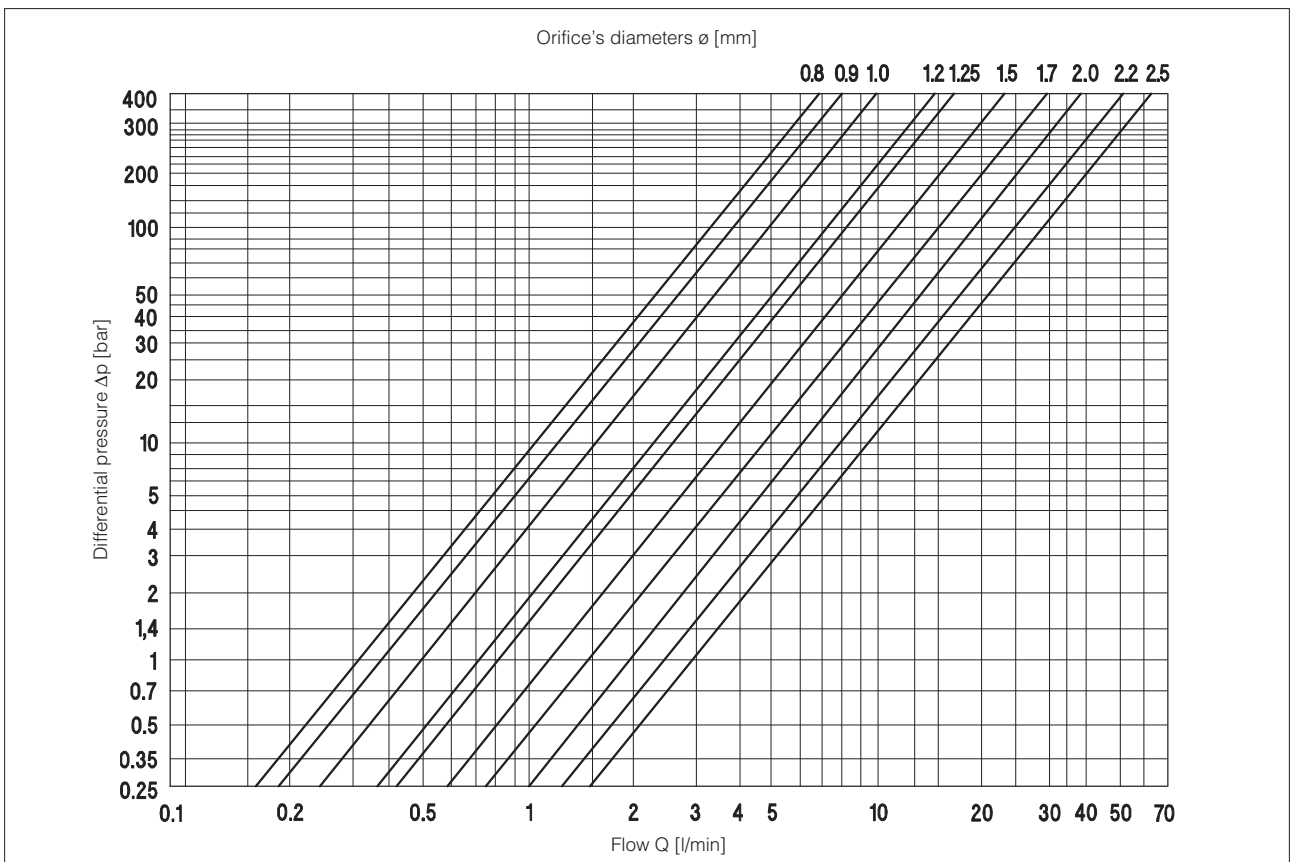
3 MAIN CHARACTERISTICS

Assembly position / location	Any position
Fluid	Hydraulic oil as per DIN 51524 ... 535;
Recommended viscosity	15 ÷ 100 mm ² /s at 40°C (ISO VG 15 ÷ 100)
Fluid contamination class	ISO 4401 class 21/19/16 NAS 1638 class 10 (filters at 25 µm value with β ₂₅ ≥ 75 recommended)
Fluid temperature	T ≤ 80°C
Flow direction	As shown in the symbol at section 2
Rated flow	See diagram Q/Δp at section 4
Orifice flow characteristics	See diagram at section 5

4 FLOW VERSUS PRESSURE DROP DIAGRAMS Based on based on mineral oil ISO VG 46 at 50°C



5 FLOW CHARACTERISTICS THROUGH THE CALIBRATED ORIFICES



6 DIMENSIONS [mm]

